



## **USER AND INSTALLATION MANUAL**



Double  
Triple

iQool-C2MS12K12K  
iQool-C3MS9K9K9K

2 x 12,000 BTU Cassettes  
3 x 9,000 BTU Cassettes

## **SMART WIFI CONTROLLED CEILING MOUNTED MULTI CASSETTE AIR CONDITIONER**

**Thank you for choosing a TCL Air Conditioner  
Please read this user manual before using this innovative  
Air Conditioner and keep it safe for future reference.**

# CONTENTS

CONTENTS	2
SAFETY INSTRUCTIONS	3
HOW AIR CONDITIONERS WORK	5
OPERATION	6
PARTS	6
PANEL	7
REMOTE CONTROL	8
SETTING UP THE REMOTE	9
DISPLAY PANEL	9
FUNCTIONS	10
WIFI CONTROL	13
BEFORE YOU START	13
DOWNLOAD THE APP TO YOUR PHONE	13
ACTIVATING THE APP	14
REGISTER THE APP	14
EMAIL REGISTRATION	14
SMS REGISTRATION	15
FORGOTTEN PASSWORD	15
CONNECTION METHODS AVAILABLE FOR SETUP	16
CHANGING BETWEEN CONNECTION TYPES	16
ADDING A DEVICE	16
CONNECTING USING CF MODE (QUICK CONNECTION)	17
CONNECTING USING AP MODE (ALTERNATIVE METHOD)	18
USING THE TIMER FUNCTION	21
MORE SETTINGS	22
MAINTENANCE	23
END OF SEASON	24
START OF SEASON	24
REPLACING THE BATTERIES	24
INSTALLATION GUIDE	25
TOOLS RECOMMENDED FOR INSTALLATION	27
INSTALLATION OF THE INDOOR CASSETTE UNIT	28
DRAINAGE PIPE INSTALLATION	31
PANEL INSTALLATION	33
INSTALLATION OF THE OUTDOOR UNIT	34
CONDENSATE DRAINAGE OF THE OUTDOOR UNIT	34
REFRIGERANT PIPE INSTALLATION	35
FLARING THE PIPES	35
ELECTRICAL CONNECTION OF THE AIR CONDITIONER	39
ELECTRICAL WIRING DIAGRAMS	40
TROUBLESHOOTING AND SELF DIAGNOSIS	41
WIFI CONTROL TROUBLESHOOTING	45
TECHNICAL SPECIFICATION	46
APPENDIX	47

## **SAFETY INSTRUCTIONS**

### **IMPORTANT!**

- Carefully read the instructions before operating the unit
- This appliance comprises of multiple cassette units and an outdoor unit. The cassettes are designed exclusively for indoor installations while the external condenser can be installed outside while still away from flood water or snow line.
- Always place the unit on a dry and stable surface. Install the outdoor unit on a wall with wall-mounting brackets or fix to a floor slab with special floor mounting slab bolts or brackets away from flood or snow lines.
- This appliance is intended for permanent installation into a fixed structure, and should not be installed on vehicles.
- The outdoor part of the air conditioner unit must always be stored and transported upright, otherwise irreparable damage may be caused to the compressor; if in doubt we suggest waiting at least 24 hours before starting the unit.
- European Union regulations requires for an F-Gas trained engineer to handle any operation where non-qualified intervention could cause fluorinated gas to escape. A commissioning certificate must be issued with any installation.
- This air conditioner contains R410a.
- If you are in any doubt about the suitability of your electrical supply have it checked and, if necessary, modified by a qualified electrician.
- This air conditioner has been tested and is safe to use. However, as with any electrical appliance - use it with care.
- Disconnect the power before dismantling, assembling or cleaning.
- Never connect the unit to an electrical outlet using an extension cord. Both the indoor and outdoor units must be hardwired by a qualified electrician.
- Never operate this appliance if the cord is damaged. Ensure the power cord is not stretched or exposed to sharp objects or edges.
- A damaged supply cord should be replaced by the manufacturer or a qualified electrician in order to avoid a hazard.
- Avoid touching any moving parts within the appliance.
- Never insert fingers, pencils or any other objects through the guard
- This appliance is not intended for use by persons (including children) with reduced physical, sensory or mental capabilities. It is also not intended for use by those with a lack of experience and knowledge, unless they have been given supervision or instruction concerning the use of the appliance by a person responsible for their safety. Do not leave children unsupervised with this appliance.
- Do not clean the unit by spraying it or immersing it in water.
- Any service other than regular cleaning or filter replacement should be performed by an authorized service representative or a qualified air conditioning engineer. Failure to comply could result in a voided warranty.
- This air conditioner is intended for cooling / heating a room to a suitable level for human comfort, and should not be used for any other purpose such as cooling food.
- Avoid restarting the air conditioning unit unless 3 minutes have passed since being turned off. This prevents damage to the compressor.
- Never use the mains as a switch to start and turn off the air conditioning unit. Use the provided ON/OFF button located on the remote control.
- The indoor unit should not be installed in laundry or wet rooms.
- After cleaning the mesh filter, reinstall it as soon as possible; do not operate the unit without the mesh filter; otherwise it may affect the operation of the unit.

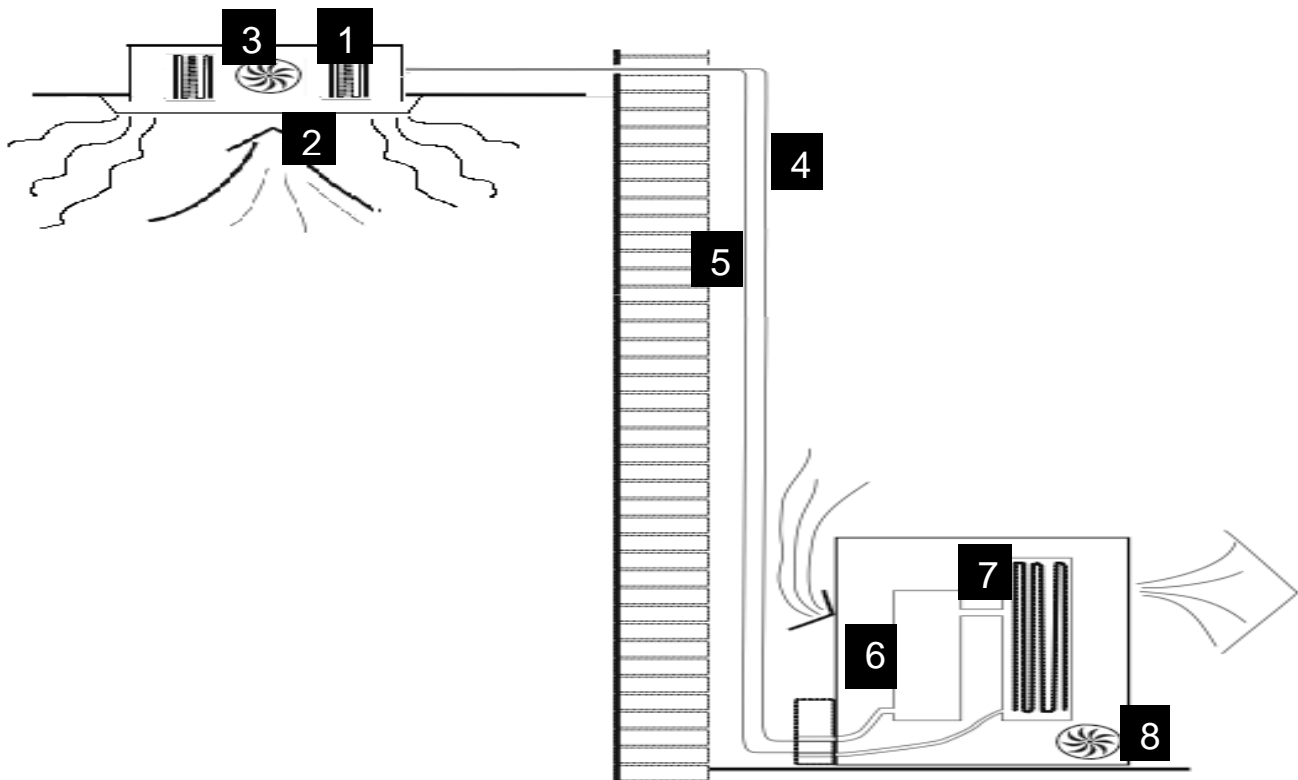
- Lightning and other electromagnetic radiation sources may affect the operation of the unit. During these conditions, disconnect the power supply and then power on after the influence has been eliminated.
- The operation parameters and protection device settings have been set during production; these settings must only be changed by a qualified engineer with understanding of their usage as incorrect settings could disable the unit's protection features leading to damage of the unit.
- The unit must be sited far from any fire hazard. In case of fire due to short circuit, immediately disconnect the power and extinguish the fire with a dry powder fire extinguisher. The unit must only be installed by a qualified F-gas registered engineer;
- Decommissioning or moving of the unit must only be carried out by a qualified F-gas registered engineer,
- Do not operate or store inflammable or explosive articles around or below the unit; otherwise it may lead to a fire hazard.
- If the unit is not to be used for a while, turn off the mains supply so as to avoid accident.
- Avoid moisture ingress to the electric control system; otherwise it may lead to short circuit or damage to the machine.
- Please ensure the desired temperature is set correctly, especially when elderly, children or people with limited mobility or mental capability are within the room.
- In case of breakdown, the user should report the fault to the retailer or manufacturer for consultation and repair rather than attempting diagnosis or repair; attempted repairs of the unit by non-professional staff may lead to personal injury or damage to the unit, and may invalidate the warranty.
- In case of refrigerant leak, the stress meter will stop the operation of unit, a qualified F-gas engineer should be contacted to arrange service;
- The refrigerant may decompose into a harmful gas if allowed into contact with an open fire.
- Do not touch the exhaust side pipe fittings to avoid scalding since the temperature may be in excess of 100°C.
- Sharp edges and the fin surfaces must not be touched to prevent the risk of cuts or injury.
- The system is based on advanced inverter technology, which allows the output to be automatically adjusted based on the settings and environment. As the indoor units will usually operate below their maximum level, a lower powered outdoor can be paired with the system with limited impact on performance.

### **ENERGY SAVING AND UNIT SAFETY PROTECTION TIPS**

- Do not cover or restrict the airflow from the outlet or inlet grills.
- For maximum performance the minimum distance from a wall or objects should be 50cm.
- Keep the filters clean. Under normal conditions, filters should only need cleaning once every four weeks (approximately). Since the filters remove airborne particles, more frequent cleaning maybe necessary, depending on the air quality.
- For the initial startup set the fan speed to maximum and the thermostat to 4-5 degrees lower than the current temperature. After, set the fan switch to low and set the thermostat to your desired setting.
- To protect the unit we recommend not using the cooling mode when the ambient indoor temperature is higher than 35°C.
- To protect the unit we recommend not using the heating mode when the indoor ambient temperature is lower than 7°C. Performance will be reduced at lower temperatures.
- Note the manufacturer operating temperature ranges at the end of this user manual.

# HOW AIR CONDITIONERS WORK

## COOLING MODE



The compressor (6) in the external unit compresses the refrigerant into a high-temperature, high-pressure gas. When this gas flows along the cooling fins of the condenser (7), heat is exuded and the gas condenses into a liquid, which is then led to the evaporator (1) in the indoor unit. The liquid expands into a gas at a low temperature and low pressure. This gas absorbs the warmth of the air in the room, and a fan (3) draws the air through the filter and over the evaporator (1), blowing the cooled air back into the room. The heat is moved to the compressor along with the gas. A fan (8) draws air over the condenser and blows the warm air away.

- |               |                  |                   |
|---------------|------------------|-------------------|
| 1. Evaporator | 2. Filter        | 3. Evaporator Fan |
| 4. Gas Line   | 5. Liquid line   | 6. Compressor     |
| 7. Condenser  | 8. Condenser Fan |                   |

## HEAT PUMP MODE

The system operates in reverse: the condenser works as an evaporator, the evaporator as a condenser: warm air is blown into the room. It is ideal as a maintenance heating when outside temperature is not too low and when the indoor temperature is more than 7°C.

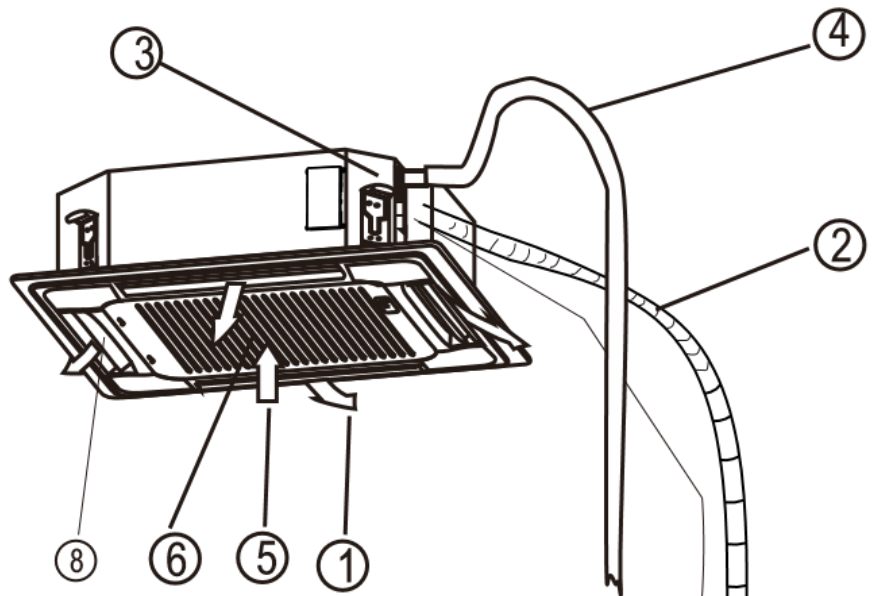
## DEHUMIDIFYING

As with cooling, the moisture in the air condenses on the cold evaporator at room temperature acting as a powerful dehumidifier.

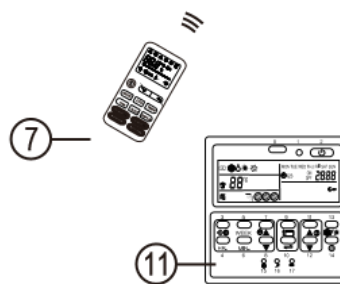
**NOTE:** This is a multisplit system and multiple indoor units are connected to a single outdoor compressor. Please make sure that the indoor units are set to operate in the same mode. Multiple indoor units connected to the same compressor cannot operate in different modes at the same time although you are able to set different target room temperatures for each unit. Fan only mode can be operated while other units are in heating or cooling.

# OPERATION PARTS

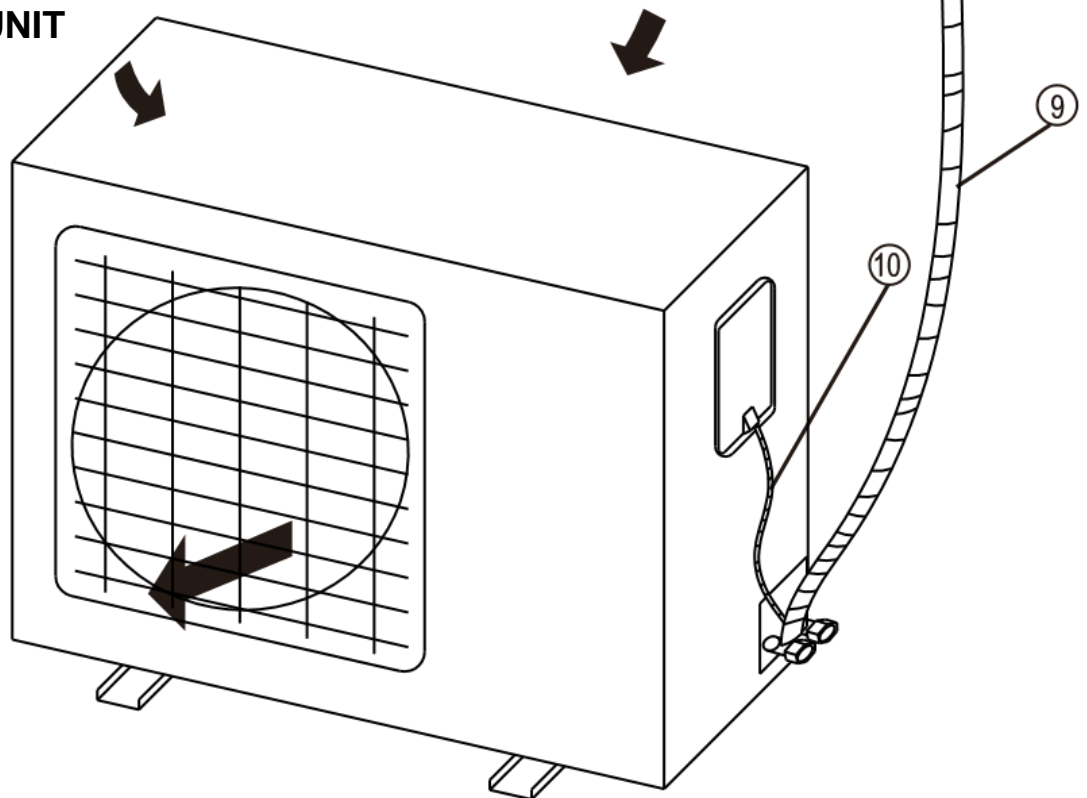
## INDOOR UNIT



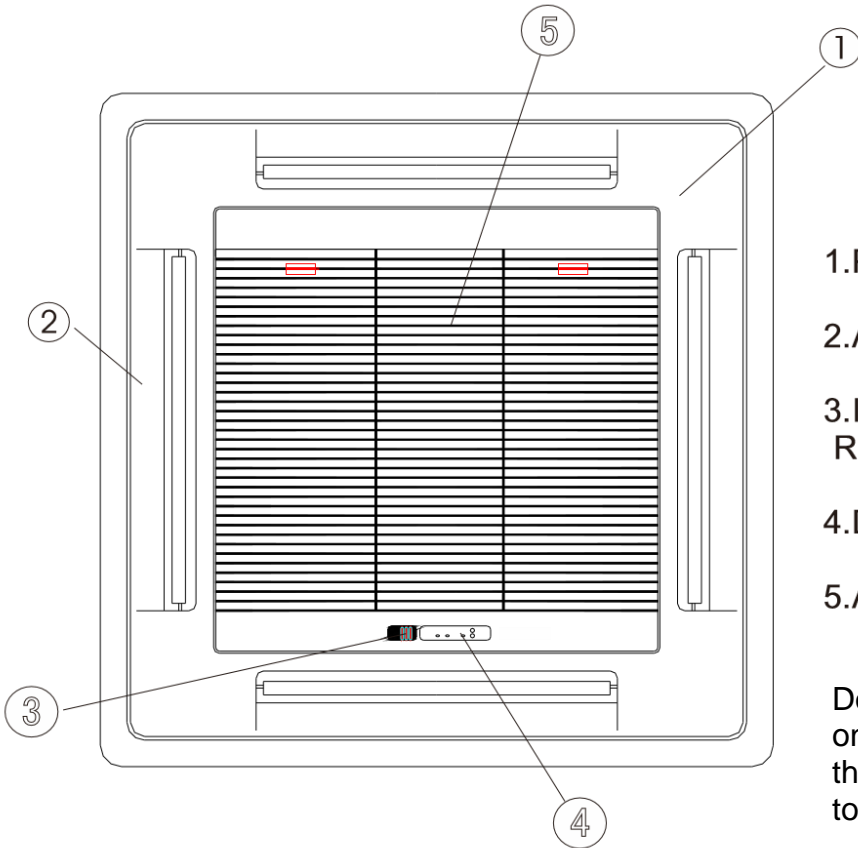
- 1 Air Outlet
- 2 Refrigerant pipe junction
- 3 Uplift Pump
- 4 Drainage Pipe
- 5 Air Return
- 6 Filter
- 7 Remote Control
- 8 Louvre for airflow
- 9 Refrigerant pipes
- 10 Interconnecting Cable
- 11 Optional Wall Controller



## OUTDOOR UNIT

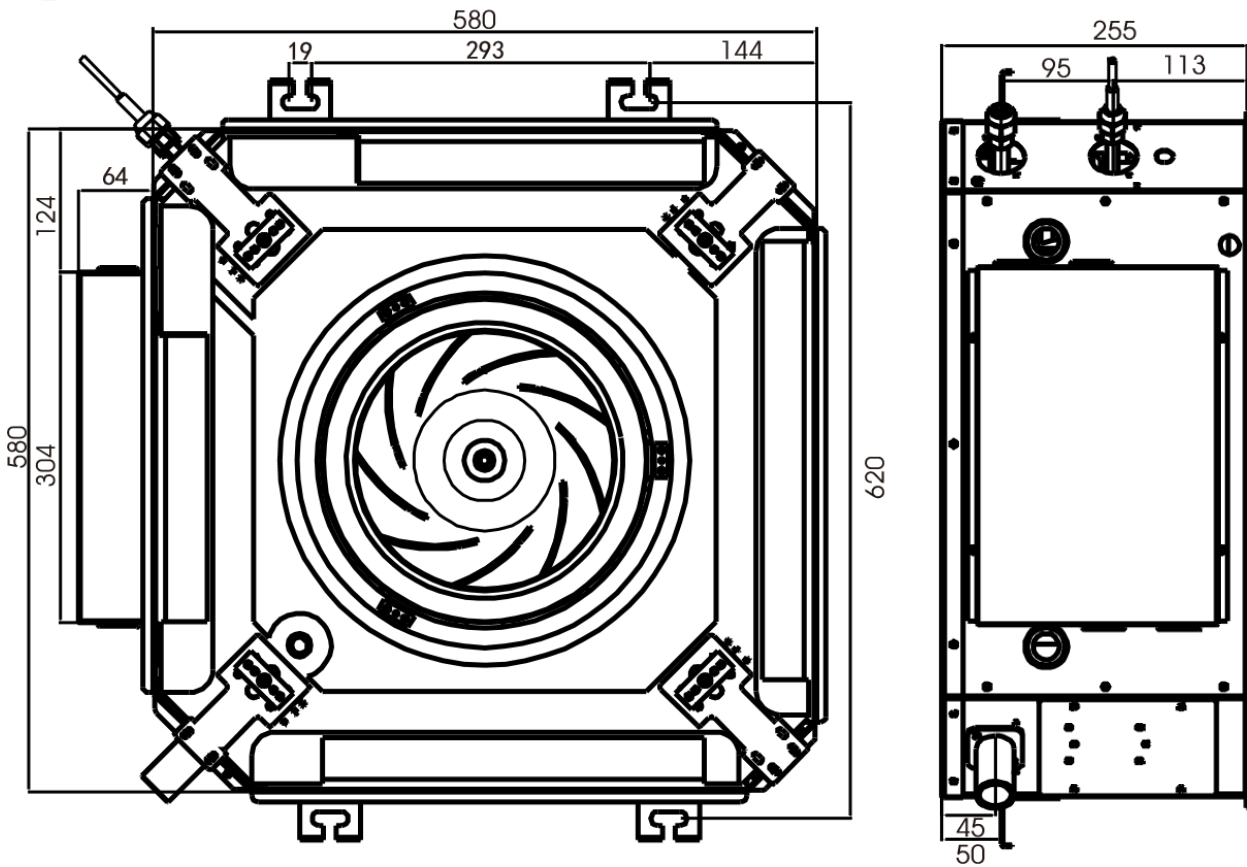


# PANEL



- 1.PANEL
- 2.AIR FLOW LOUVER
- 3.INFRARED SIGNAL RECEIVER
- 4.DISPLAY PANEL
- 5.AIR-IN GRILLE

Do not block the air inlets / outlets on the cassette, as this will reduce the units performance and may lead to damage.



## REMOTE CONTROL

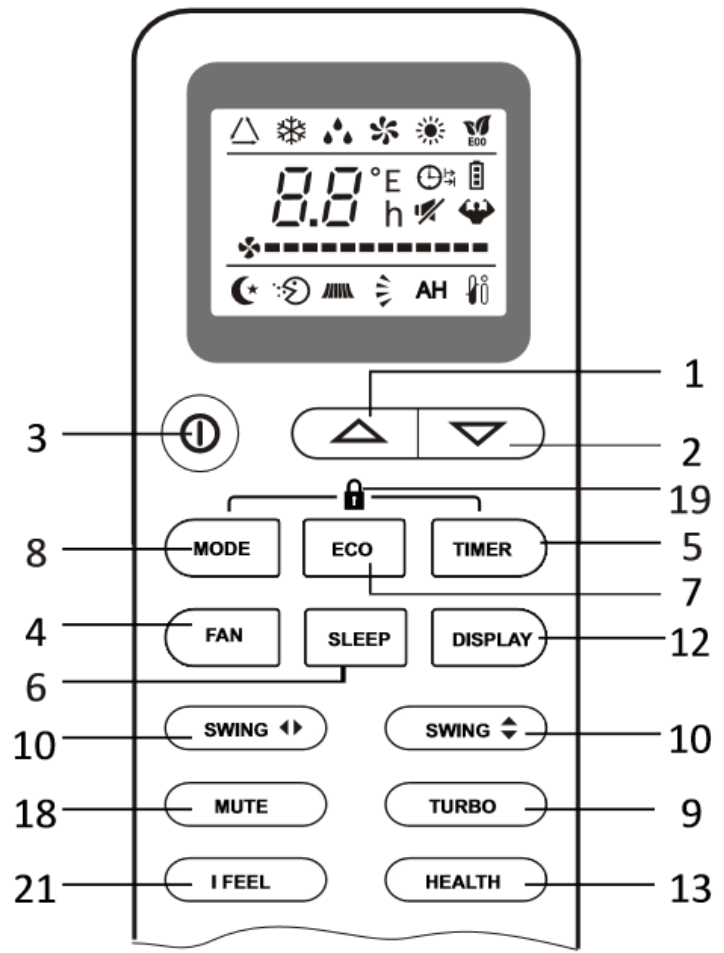
The remote control has a range of up to 8m. Point the remote control at the receiver in the interior unit. A beep confirms that the remote control signal has been received.

### REMOTE OPERATION

Turn the appliance on using the **ON/OFF** button. This activates the most recently used setting.

The ON/OFF button also turns the air conditioner off.

Please note that not all features are available on all models.



No.	Button	Function	*
1	Up	Press to increase temperature	
2	Down	Press to decrease temperature	
3	ON/OFF	Press to turn on/off the unit	
4	Fan	Press to select the fan speed LOW / MED / HIGH	
5	Timer	Press to set the timer	
6	Sleep	Press to activate the "SLEEP" function	
7	Eco	In cooling mode, press to increase the set temperature by 2°C. In heating mode, press to decrease the set temperature by 2°C	
8	Mode	Press to select the desired operating mode	
9	Turbo	Press to activate turbo mode. This will make the unit work its hardest to quickly cool or heat the room for a period of 15 minutes. The fan will be set to max, the temperature will be set to either 16°C in cooling mode or 31°C in heating mode.	
10	Swing	Select the vertical direction of airflow (Horizontal direction not adjustable on these models)	
18	Mute	Press to turn off the beep when functions are selected	
12	Display	Press to turn on/off the LED display	
21	I Feel	Press to activate the follow me function	
13	Health	Press to activate the antibacterial ioniser function	



## °C/°F

Temperature units can be changed on the remote by altering the switch under the battery cover. Remove the batteries, move the switch to the desired units then replace the batteries.

## TEMPERATURE

The desired temperature is set with the up and/or down button, within the limits of the thermostat: 16°C – 32°C.

Use the **FAN SPEED** button to set the fan speed at low, medium and high; or automatic (the symbol on the display will flash). The fan speed in the automatic setting is determined by the difference between the set temperature and the room temperature.

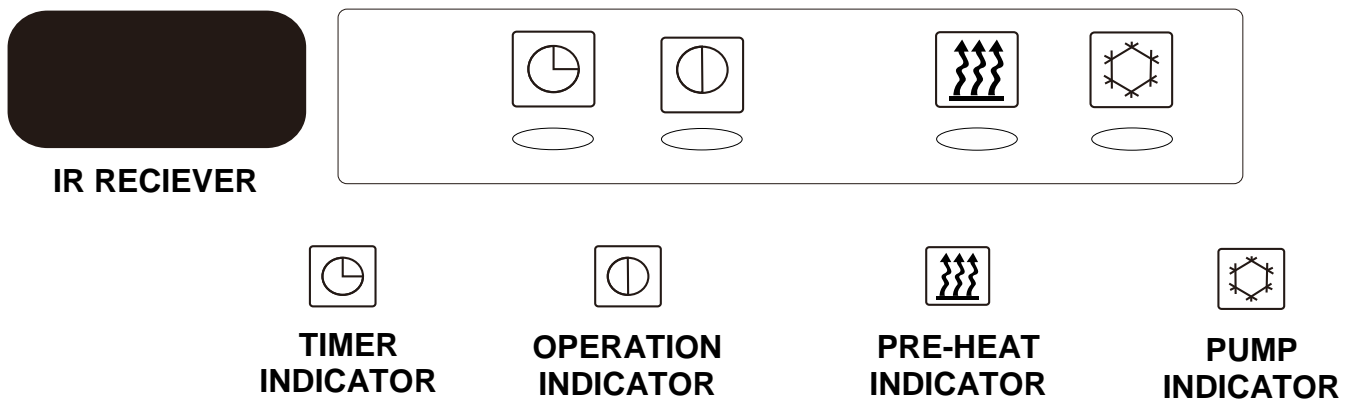
## SETTING UP THE REMOTE

When batteries are first inserted into the remote or following changing the batteries, the remote must be set up for COOLING AND HEATING or COOLING ONLY.

When the batteries are inserted the cool and heat symbols will alternate on the screen of the remote. For HEATING AND COOLING press any button while the heat symbol is shown.

If the remote is set up for the wrong type of unit, simply remove the batteries and reinsert, before following the step above.

## DISPLAY PANEL



TIMER INDICATOR	Will illuminate when the timer is set
OPERATION INDICATOR	Will illuminate when the unit is turned on
PRE-HEAT INDICATOR	Will illuminate when the indoor unit is preheating the coils, before warm air is expelled in heating mode.
PUMP INDICATOR	Will illuminate when the water level within the unit is high.

## FUNCTIONS

### COOL

1. Press the **MODE** button until the **COOL** indicator appears.
2. Set the desired temperature.
3. Use the **FAN** button to set the fan speed.

### HEAT

1. Press the **MODE** button until the **HEAT** indicator appears
2. Set the desired temperature.
3. Use the **FAN** button to set the fan speed.

### FAN MODE

1. Press **MODE** button until the **FAN** indicator appears.
2. The temperature settings are disabled in fan mode.
3. Use the **FAN** button to set the fan speed, cycling through LOW / MED / HIGH / AUTO.

### DEHUMIDIFY

1. Press the **MODE** button until the dehumidify indicator appears.
2. The fan speed will always be low in this mode and the **FAN** button is disabled. In addition the temperature cannot be adjusted in dehumidifying mode

### AUTO MODE

1. Press the **MODE** button until the **AUTO** indicator appears.
2. The difference between the set temperature and room temperature determines how the air conditioner operates: cool, heat, fan or dry. It is not possible to change the temperature in this mode the unit will operate to achieve best performance. The operation logic is as below.

Ambient Temperature	Operation Mode	Auto Temperature
<20°C	Heating	23°C
20°C - 26°C	Dry	18°C
>26°C	Cool	23°C

3. Use the **FAN** button to set the fan speed.

### TIMER OFF FUNCTION (WHILE THE AIR CONDITIONER IS ON)

1. Press the **MODE** button until the symbol appears for the operation you want.
2. Set the desired temperature.
3. Use the **FAN** button to set the fan speed.
4. Press the **TIMER** button to set the running time required. Use the up and down buttons to set the running time in 30 minute intervals (max 24 hours). Once the running time has elapsed, the appliance will switch itself off. To cancel the timer function before the set time has elapsed, press the **TIMER** button again.

### TIMER ON FUNCTION (WHILE THE AIR CONDITIONER IS IN STANDBY)

1. The appliance is switched off in standby mode
2. Press the **TIMER** button to set the number of hours until switch on is required. Use the up and down button set the number of hours in 30 min intervals (max 24 hours). Set the desired operation, temperature, fan speed. Once the set time has elapsed, the appliance will switch itself on. To turn off the timer function before the set time has elapsed, press the **TIMER** button again.

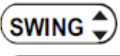
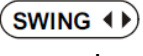
## SLEEP MODE

1. Press the **SLEEP** button
2. Set the desired temperature.
3. Press the **SLEEP** button; The **SLEEP** indicator will appear on the display. Cancel the sleep mode by pressing the button again.
4. The fan will operate at low speed.
5. The temperature is automatically altered by 1°C every hour for 2 hours. In cooling mode the temperature will rise, in heating it will fall.
6. After 10 hours in Sleep mode the unit will power off automatically.

## TURBO

1. Press the **TURBO** button until the Turbo symbol appears.
2. Set the desired temperature.
3. Use the **FAN** button to set the fan speed
4. Press the **TURBO** button. The fan and compressor will run at maximum speed for 15 minutes, before returning to their previously set levels.

## SWING

1. Press the **SWING** buttons to control the fan direction.
2. The  controls the horizontal air movement (up/down)
3. The  button is not activated on this model, and the horizontal direction of the airflow can be adjusted manually.

## ECO

1. Press the **ECO** button to turn on the energy saving mode
2. In cooling mode, the desired temperature will increase by 2°C.
3. In heating mode, the desired temperature will decrease by 2°C.

## IFEEL

1. Press the **IFEEL** button to activate the follow me mode.
2. In this mode the temperature of the unit will be set based on the temperature where the remote is situated.
3. The remote will act as a mobile thermostat which controls the unit.

## HEALTH

1. Press the **Health** button to activate the antibacterial ioniser function.
2. The ionizer helps to eliminate pollutants in the air.

## NOTE

The functions listed are for the iQool range, and as such some features may not be available on all models.

## **IMPORTANT INFORMATION**

### **AUTO RESTART**

The air conditioner will automatically restart when electricity is restored after a power cut. If in doubt, check the settings.

### **RANGE OF INTERNAL THERMOSTAT**

The internal thermostat can be set at a desired temperature between 16 and 32°C. Note that whether the desired value is achieved depends on the room size, temperature and insulation of the room.

### **RANGE OF HEAT PUMP FUNCTION**

The heat function can be used when the external ambient temperature is above -15°C. The performance of the heat pump will degrade with lowering external temperatures. Please note the performance will reduce when the outdoor temperature drops below 5°C.

### **CAPACITY**

The required cooling or heating capacity depends greatly on the location and/or use of the room where the air conditioner is installed. Strong sunlight and the presence of people, lights or equipment creates an additional heat load. Normal living spaces require about 350 Btu per square metre of floor surface. In strong sunlight or if other sources of heat are present, this may be as much as 1200 Btu per sqm.

Tip: On warm days, let the air conditioner cool the room as much as possible during the night and keep the temperature constant from night to daytime.

### **SELECTING THE OPERATIONAL MODE**

This is a multisplit system and multiple indoor units are connected to a single outdoor compressor. Please make sure that the indoor units are set to operate in the same mode. Multiple indoor units connected to the same compressor cannot operate in different modes at the same time although you are able to set different target room temperatures for each unit. Fan only mode can be operated while other units are in heating or cooling.

## WIFI CONTROL

### BEFORE YOU START

- Ensure your router provides a standard 2.4ghz connection.
- If your router is dual band ensure that both networks have different network names (SSID). The provider of your router / ISP will be able to provide advice specific to your router.
- Once the app has been installed on your phone, turn off the data connection, and ensure your phone is connected to your router via wifi.

### DOWNLOAD THE APP TO YOUR PHONE

Please note that your air conditioner requires a good signal during the setup process. Your air conditioner is designed to be connected to a 2.4ghz network, and the connection is set up using the TCL “SMART LIFE” app. We would advise on using the QR codes below to ensure the correct app is downloaded.



Android



IOS

The unit can also be controlled using the “Smart Life” app by TUYA which is also available in the app stores. We would advise on using the version above which is optimised for use with your air conditioner as we cannot guarantee the correct functionality of all features with the TUYA app. If you would prefer to use the TUYA app, please use the QR codes below



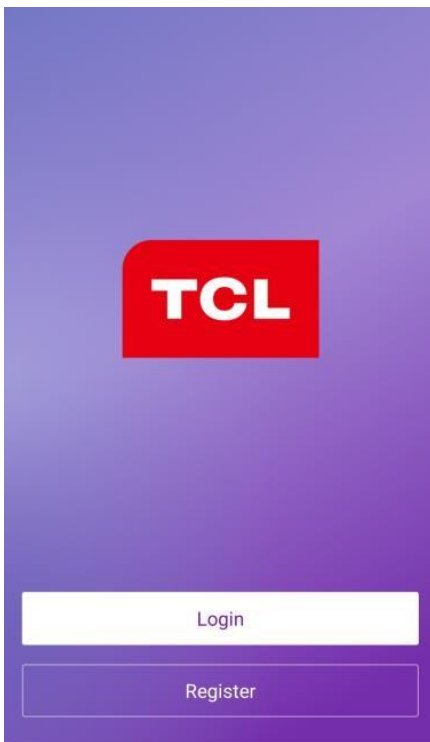
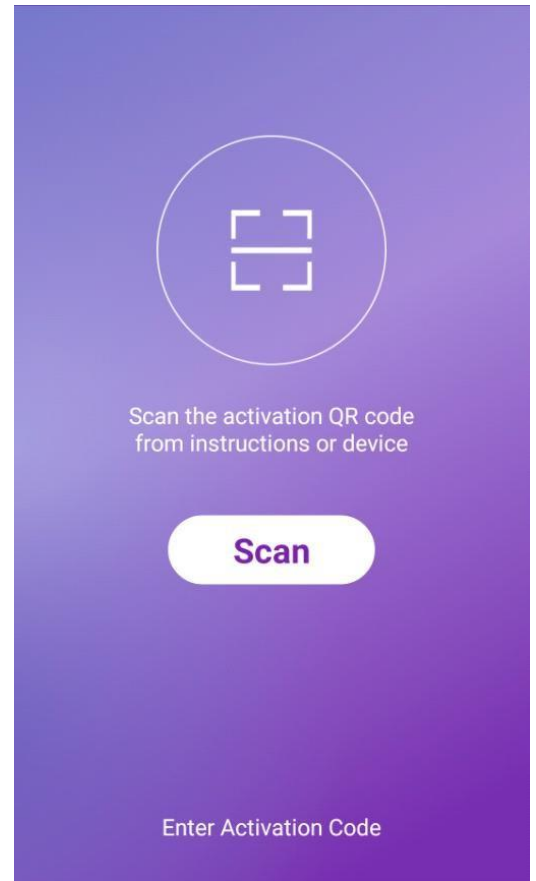
Android



IOS

## ACTIVATING THE APP

The first time the app is used, it will need activating. To do this, either press the scan button, and scan the QR code below, or press “Enter Activation Code” and enter the activation code: TCL

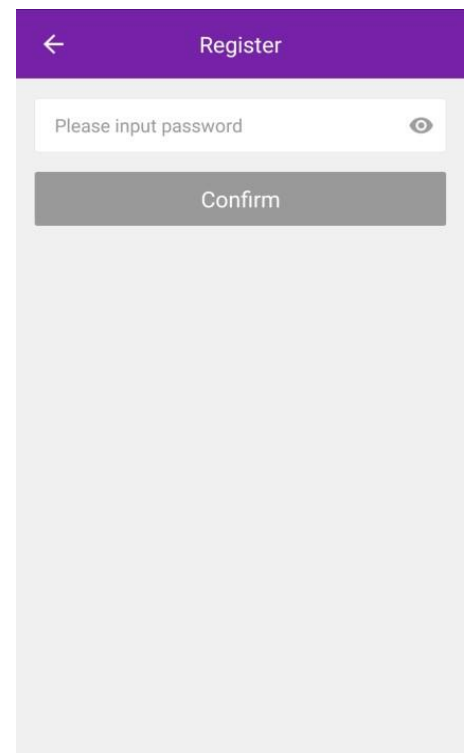
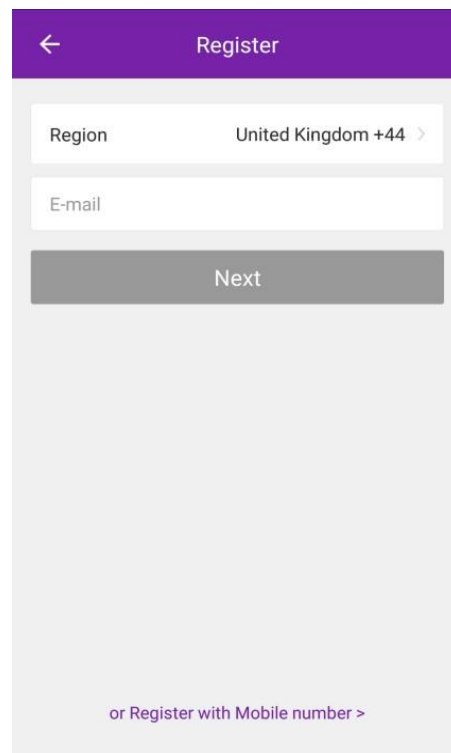


## REGISTER THE APP

Upon the first use, an account will need to be registered. Click on the “Register” button to enter the registration screen. The account can be created by using either the default option of an email address, or alternatively by SMS message using the “Register with mobile number” option.

## EMAIL REGISTRATION

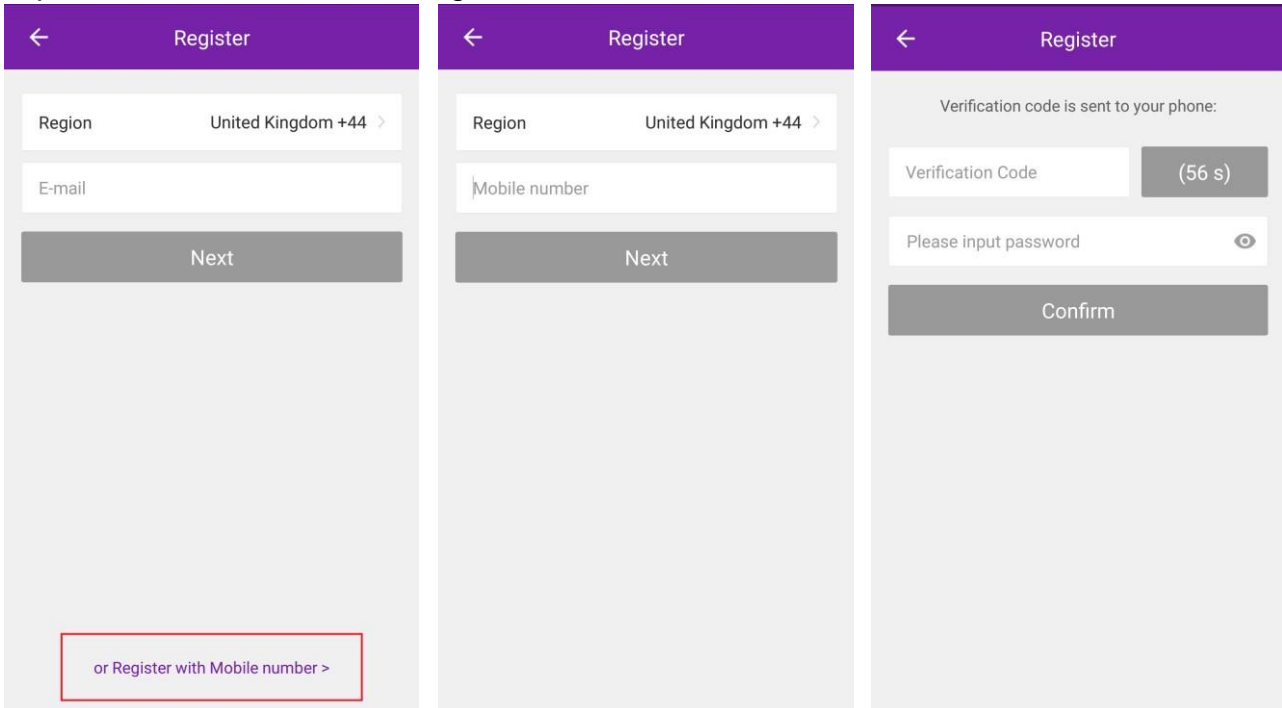
Enter your email address, and Press next. In the password box create a new password for your account, before pressing confirm. This should be at least 6 characters and include letters and numbers.



## SMS REGISTRATION

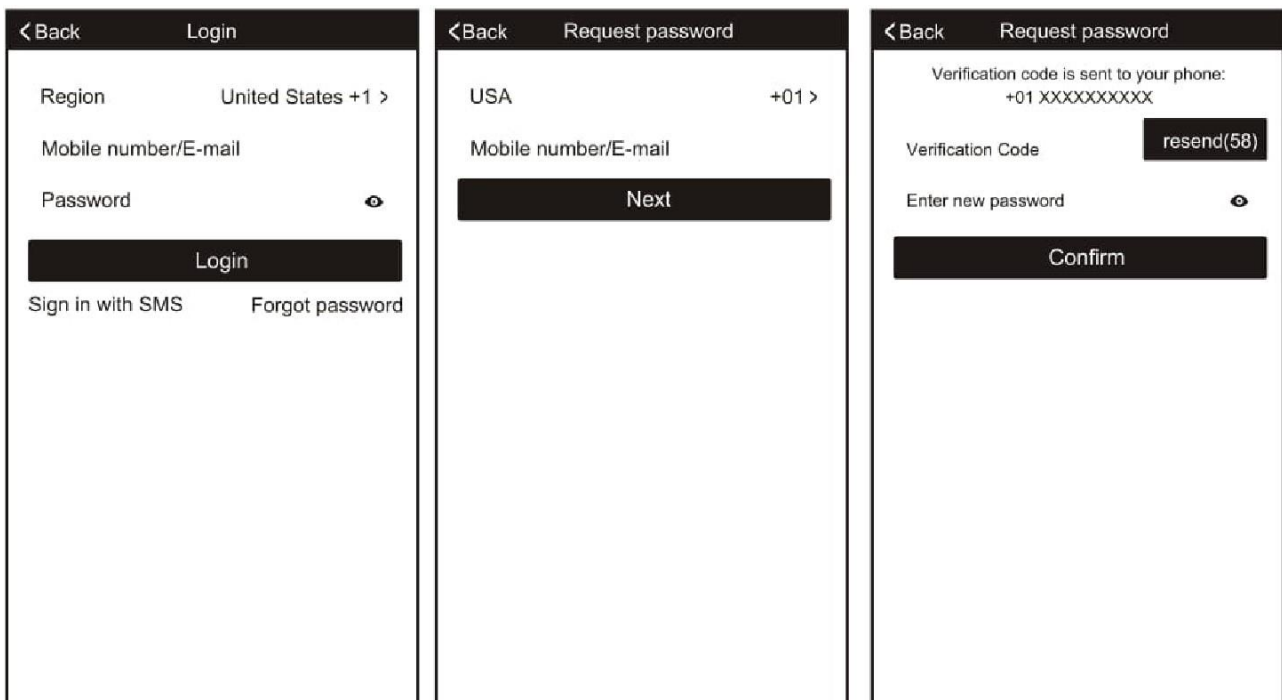
Press on the option at the bottom of the screen to choose the option for registering with a mobile number. You will receive an activation code via SMS. Enter the activation code into the verification code box, before entering your new password in the box below.

Please note the password should be at least 6 characters and include letters and numbers. Then press the confirm button to log in.



## FORGOTTEN PASSWORD

Should the password for your account be forgotten, it is possible to use the "Forgot Password" option which will allow you to enter the email address or telephone number used to register the account, and a verification code will be sent to you via the method chosen.



## CONNECTION METHODS AVAILABLE FOR SETUP

The air conditioner has two different setup modes, CF (Quick Connection) and AP (Access Point). The CF mode is a quick and simple way to set the unit up. The AP connection uses a direct local wifi connection between your phone and the air conditioner to upload the network details.

Before starting the setup, please ensure that your air conditioner is in the correct standby mode for the connection type you are attempting, the display on the air conditioner will confirm the current connection mode during setup.

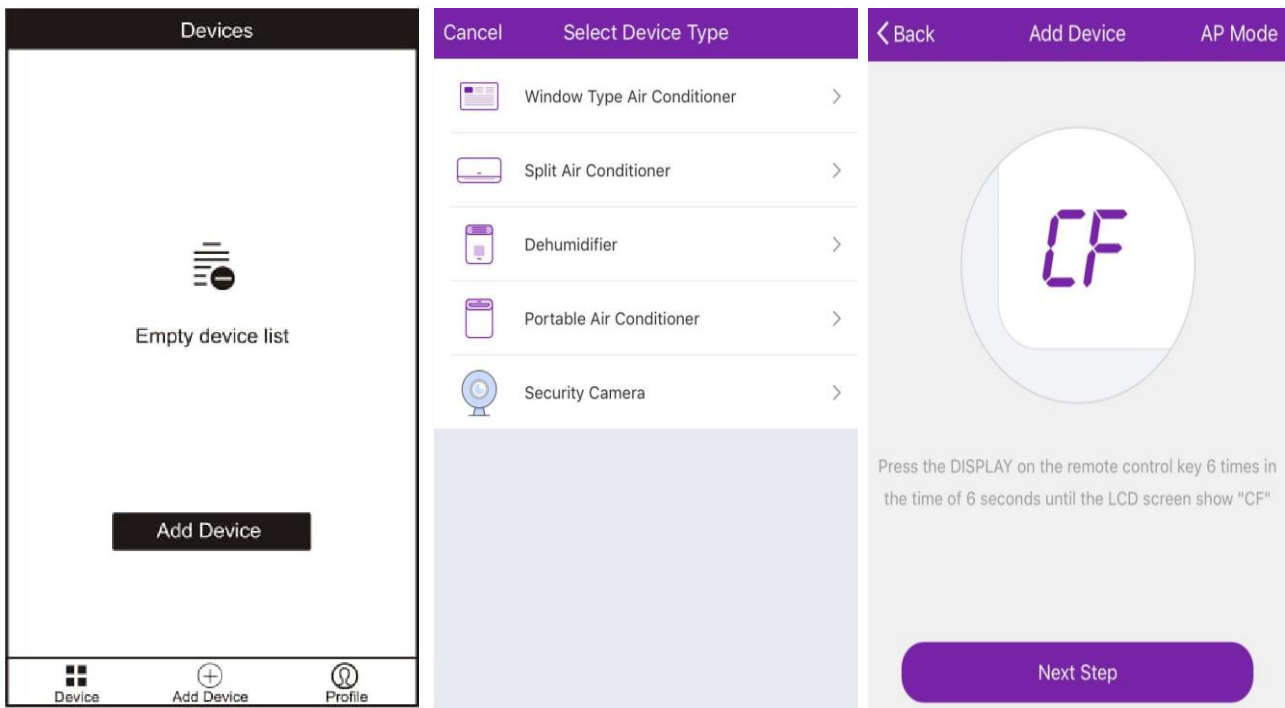
**Please note:** Each indoor unit is classed as a separate device within the app and as such the following connection process should be repeated for each indoor unit.

## CHANGING BETWEEN CONNECTION TYPES

To change the unit between the two connection types, quickly press the display button on the remote 6 times, and wait approx. 10 seconds until the new connection mode is displayed on the panel of the air conditioner.

## ADDING A DEVICE

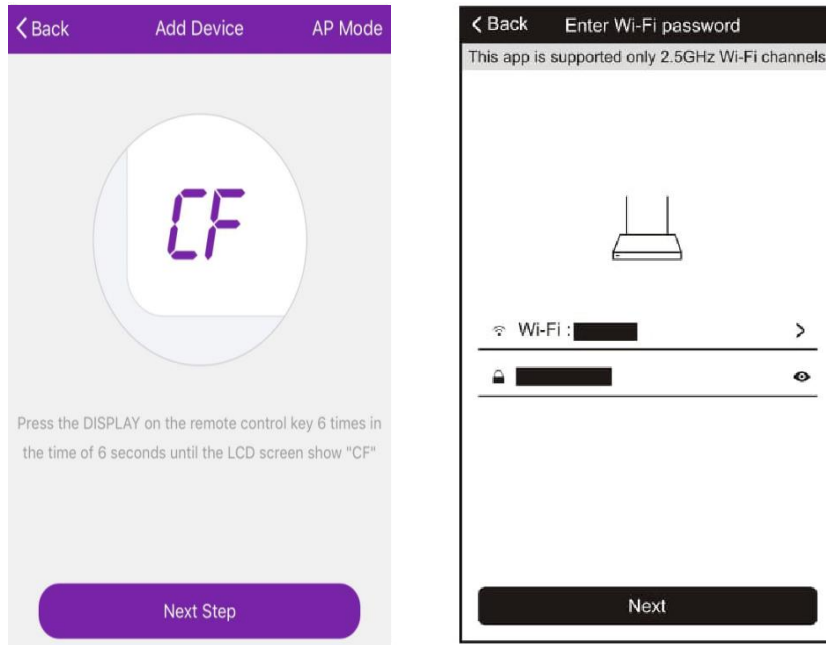
1. Press the “Add device” button, which will bring up a screen to choose the device type.
2. Select “Split Air Conditioner” from the Device Type List.
3. The app will default to quick connection mode, and this can be changed by pressing the button labelled AP Mode in the top right of the screen.
4. After ensuring that the air conditioner is also in the correct connection mode, follow the relevant connection guide on the following pages.



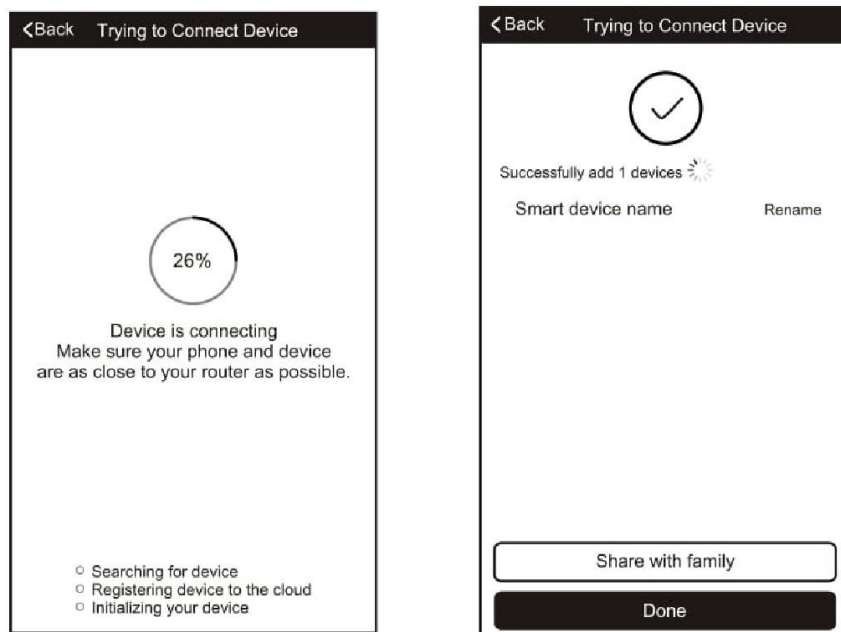


## CONNECTING USING CF MODE (QUICK CONNECTION)

1. Ensure that the display on the air conditioner is displaying CF before pressing “Next Step” (otherwise to change the connection mode: Quickly press the display button on the remote 6 times and wait 10 seconds until CF is displayed)
2. Select your Wifi router from the drop down list and enter the password (Please note the password is case sensitive) before pressing next.



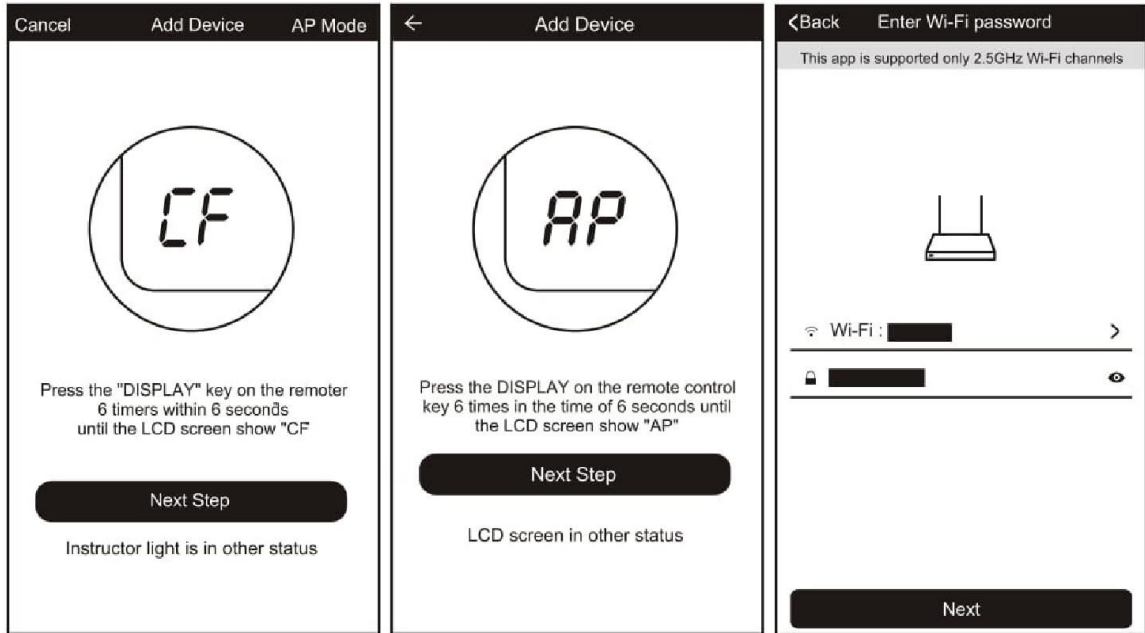
The app will automatically upload the connection information to the air conditioner, once the connection is completed, a message will be displayed to confirm. On this page there is the option to rename the air conditioner to something more relevant.



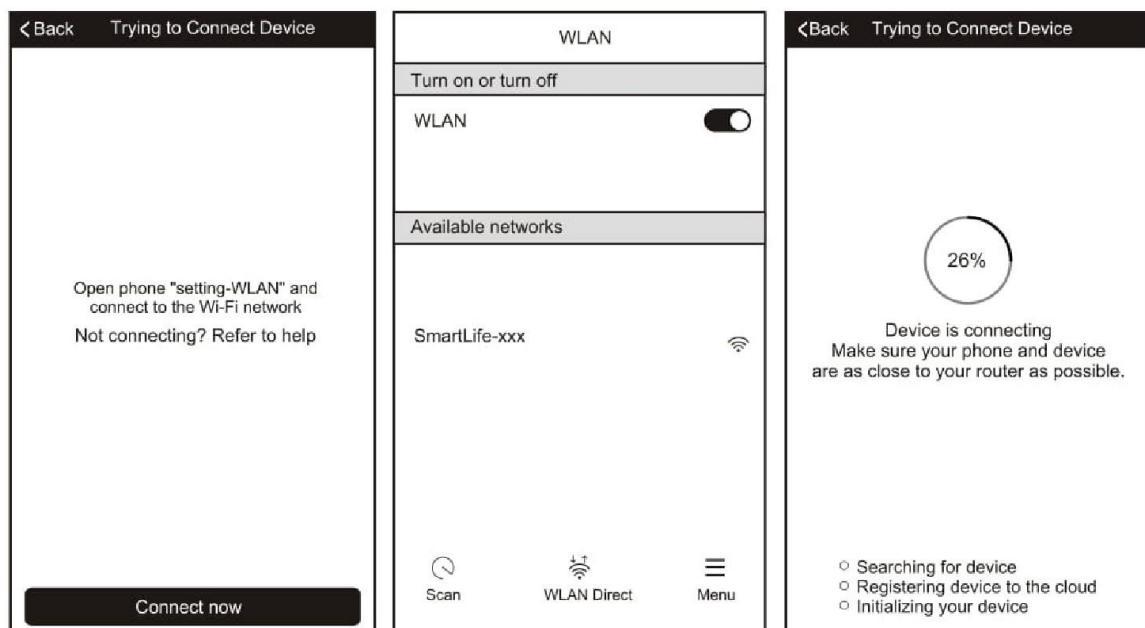
If the connection fails, please retry the connection, failing this try connecting using the AP mode connection.

## CONNECTING USING AP MODE (ALTERNATIVE METHOD)

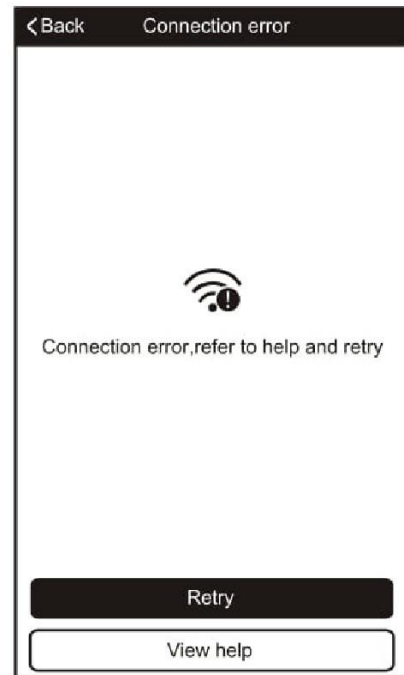
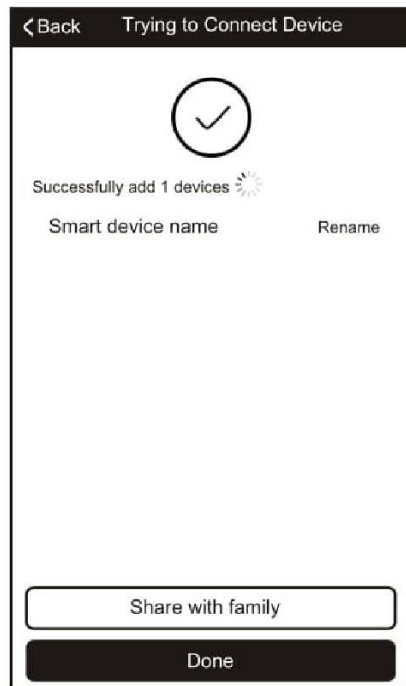
1. Ensure that the screen on the air conditioner is displaying AP (otherwise to change the connection mode: Quickly press the display button on the remote 6 times and wait 10 seconds until AP is displayed)
2. Press on the AP Mode button in the top right of the screen to change the app to AP mode connection.
3. Select your Wifi router from the drop down list and enter the password (Please note the password is case sensitive) before pressing next.



4. Connect your phone to the wifi network by leaving the app, and connecting to the Wifi network created by the air conditioner "Smartlife-XXX"
5. Reopen the app and click on the "Connect now" button,



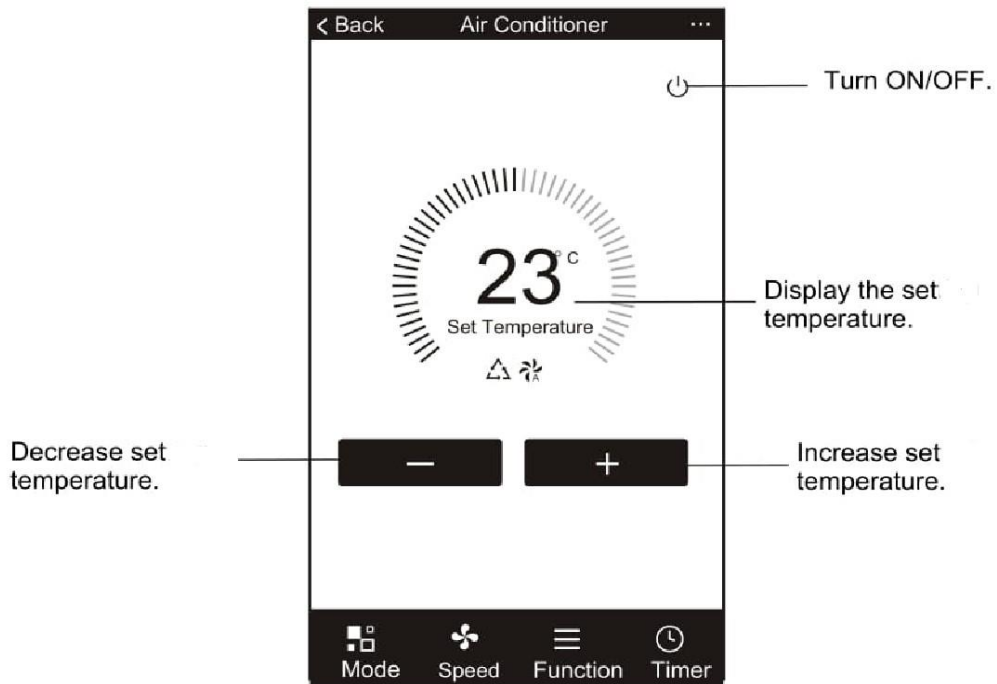
The app will automatically upload the connection information to the air conditioner, once the connection is completed, a message will be displayed to confirm. On this page there is the option to rename the air conditioner to something more relevant.



If the connection fails, please retry the connection, failing this try connecting using the CF mode connection.

## CONTROLLING YOUR DEVICE THROUGH THE APP

Now that your air conditioner is linked up to your network, you can control it from your phone. Select your device in the device list to gain access to the controls for the device.



Use the + and – buttons to increase and decrease the desired temperature. The tabs on the bottom of the screen should be used to change other settings.

**Mode:** Allows the operating mode to be changed between Feel, Heat, Dry, Cool and Fan.

**Speed:** Allows the fan speed to be changed between Auto, Low, Medium and High.

**Function:** Allows the Sleep, Turbo and Eco functions to be activated (See main manual for description of the operation) and for vertical and horizontal swing on the louvres to be turned on / off (Not supported on all units)



## USING THE TIMER FUNCTION

The timer can be used to either set a time for the air conditioner to turn on (and specify the settings it will run with), or a time for the unit to turn off. Multiple timers can be used together to build a schedule with on and off times.

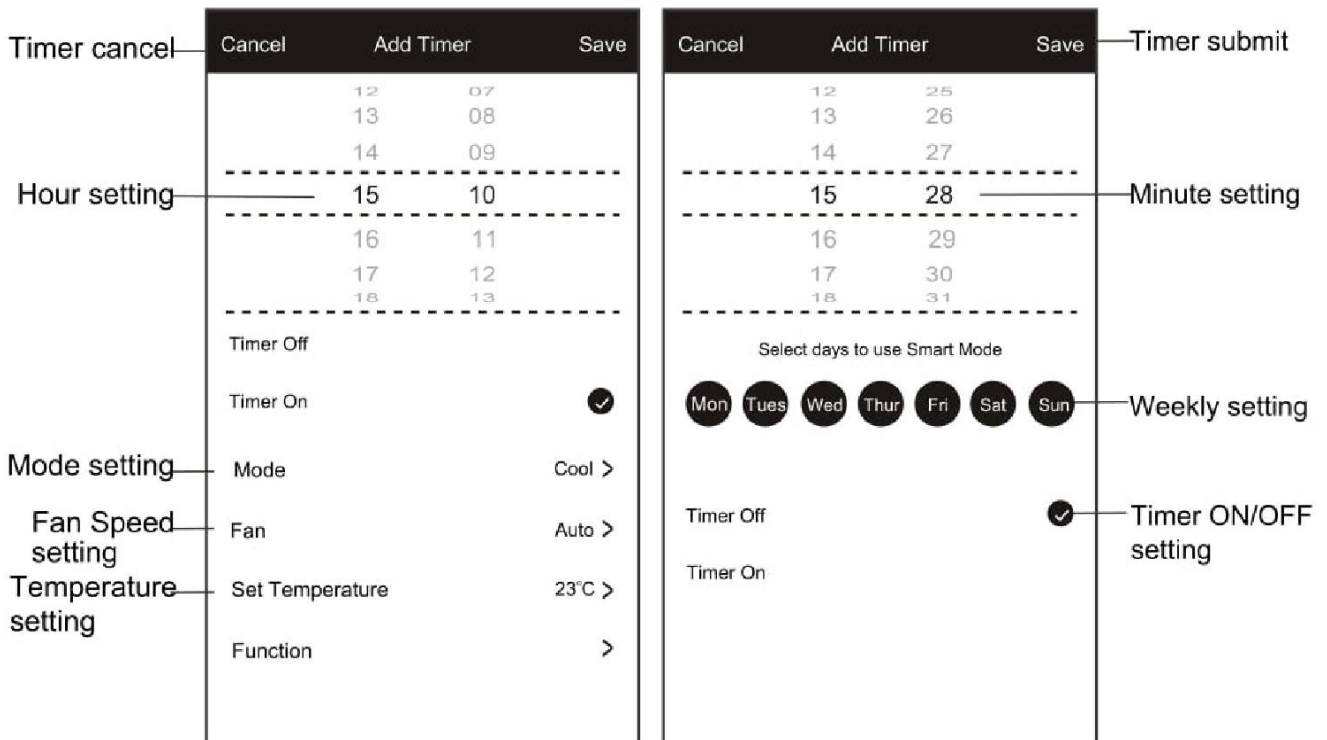
1. Press the Timer button at the bottom right of the screen.
2. To set a new timer, press the "Add Timer" button at the bottom of the screen. If there is a timer already programmed that you would like to amend, press and hold the timer which requires amendment.

### OFF TIMER:

1. Select Timer Off
2. Set the time the air conditioner should turn off
3. Select which days the timer should operate
4. Press Save in the top right corner.

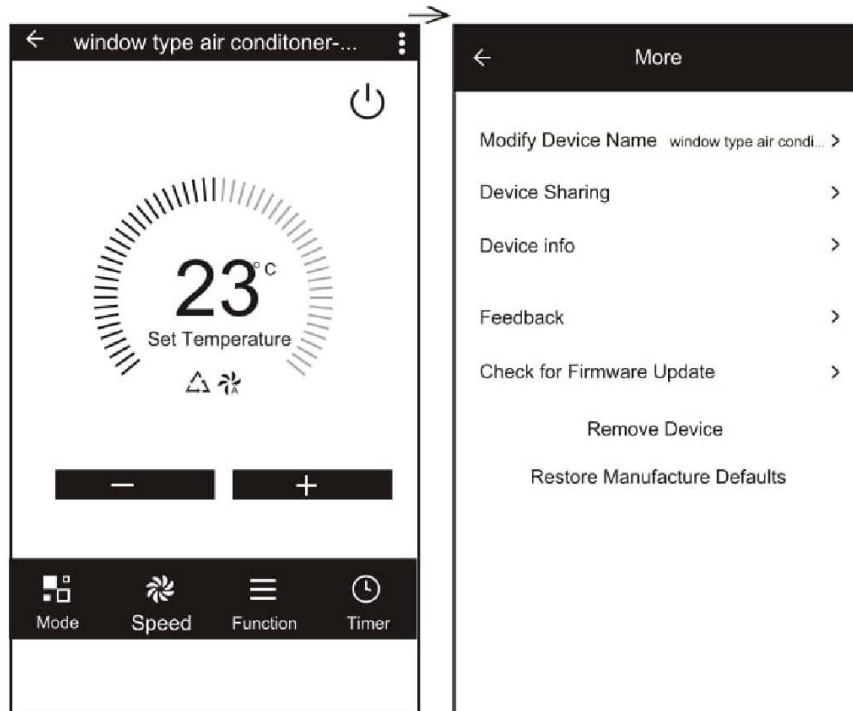
### ON TIMER:

1. Select Timer On
2. Set the time the air conditioner should turn on
3. Select which days the unit should run on the auto timer.
4. Set the Mode, fan speed, desired temperature and function that the air conditioner should run with.
5. Press Save in the top right corner.



## MORE SETTINGS

When on the main screen the three dots in the top right hand corner give you access to the settings options for the app. This a number of extra options for modifying the name of the air conditioner, and removing a device from the app.

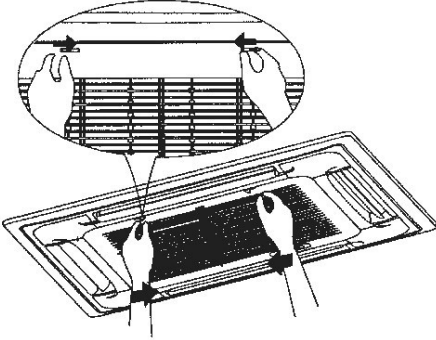


## MAINTENANCE

### FILTERS

Ensure the power is turned off to the unit before attempting to service the filters.

### REMOVING THE GRILL

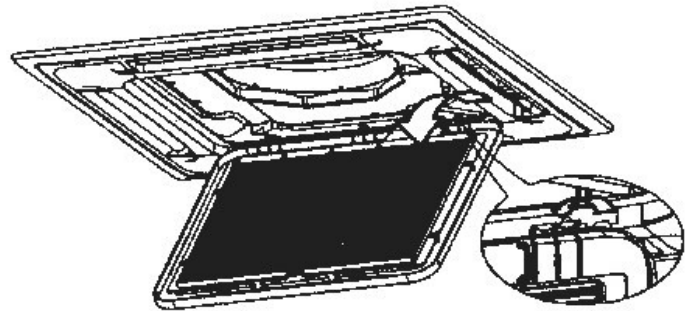


1. Push the two grill switches towards the centre to unhook the grill before pulling the centre of the panel downwards.

2. Care must be taken with the electrical connectors (connecting the panel to the main cassette) If necessary these should be disconnected.

3. Hold the grill at a 45° angle to the unit and lift to unhook from the rear of the panel.

4. The filter can then be removed from the grill for cleaning.



### CLEANING THE FILTERS

- Clean the air filter with a vacuum cleaner or rinse with clean water.
- If the filter is heavily soiled, a soft brush should be used with mild detergent.
- Ensure the filter is fully dried before reinserting back into the grill and reattaching to the unit.

### CLEANING THE OUTDOOR UNIT

While the unit is disconnected from power. Remove dirt and keep the air intake and exhaust openings free of debris, etc. Cleaning with chemicals may cause damage.

## END OF SEASON

If the air conditioner is not going to be used for an extended period:

- Set in fan mode on a slightly warm day so that the inside of the appliance dries out.
- Switch off the power at the fuse box and remove the batteries from the remote control.
- Clean the filters.
- Remove the batteries from the remote control.
- Disconnect the power from the appliance

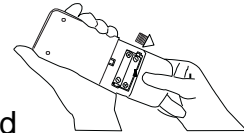
## START OF SEASON

If the air conditioner is to be used again after an extended period:

- Check that the air intake and exhaust openings of the interior and exterior units are not blocked. Remove any dirt or debris that has accumulated.
- Check that the filter is installed within the indoor unit and is clean.
- Check that the condensation outlet drains properly and there is no dirt or organic blockage (otherwise leakage may occur)
- Install 2 AAA batteries in the remote control.
- Check that the wiring between the cassette and the panel is connected, and there is no damage to the interconnecting wires.
- Turn the appliance on, set the time and desired setting.

## REPLACING THE BATTERIES

- Remove the cover from the rear of the remote control.
- Replace the AAA batteries, ensuring the correct polarity.
- Reinstall the cover on the rear of the remote control.
- The display on the remote will start to alternate between the HEAT and COOL symbols. Press any button on the remote when the HEAT symbol is displayed to set the remote up for heating and cooling.
- If nothing is displayed on the remote, try pressing the power button. If still no response, check the polarity of the batteries and try replacing.





## INSTALLATION GUIDE

### SAFETY

- Only qualified personnel should install this appliance. This installation manual is intended for use by individuals possessing adequate backgrounds and qualifications in electrical, electronic, refrigerant and mechanical fields. Any attempt to install or repair the appliance may result in personal injury and property damage.
- The manufacturer and retailer cannot be responsible for the interpretation of this information, nor can it assume any liability in connection with its use.
- The units are designed for permanent installation.
- The equipment is designed for domestic or office use and we are not making any endorsements for use in industrial or maritime environment.
- Do not place near sources of heat, vapors, industrial machine oil or other flammable gases.
- High-frequency waves generated by radio equipment, welders and medical equipment will interfere with the normal operation of the unit.
- Install this device only when it complies with local/national legislation, ordinances and standards.
- Check the mains voltage and frequency. This unit is only suitable for an earthed electrical supply, connection voltage 230 V~ / 50 Hz. The information, specifications and parameter are subject to change due to technical modifications or improvement without any prior notice. The accurate specifications are presented on the nameplate label.
- Please read this installation manual completely before installing the product.
- When the power cord is damaged, replacement work shall be performed by authorized personnel only.
- Installation work must be performed in accordance with all European, national and / or local directives and standards and must be done by authorized personnel only.
- Always make sure to wear the correct personal safety protections such as protective eyewear, gloves, ear protection etc.
- This air conditioner contains a refrigerant and can be classified as pressurized equipment. Therefore always contact an authorized air conditioning engineer for installation and maintenance of the air conditioner.
- The air conditioner must be inspected and serviced on an annual basis by an authorised air conditioning engineer.
- Each indoor unit has a separate refrigerant circuit, and as such each circuit must be individually pressure tested and purged during installation.
- Rating: This unit must be only connected to a 220-240 V / 50 Hz earthed power source.
- The unit should use an independent power supply switch and a separate circuit to other electric appliances; use a power supply cable with specified section area to supply the unit and equip the circuit with the correct rating of circuit breaker (with electric leak protection function).
- Installation must be in accordance with the regulations of the country where the unit is used.
- Diagrams and pictures provided within the manual are for guidance only. Due to continual product development, if there is any variance between the manual and the product received, the information provided on the product should be followed.
- The outdoor unit must be mounted in an area sheltered from excessive rain and direct

sunlight; We will not be liable for problems caused by installation in an unsuitable location.

- The appliance must be installed 2 - 3m above floor level.
- The unit must be mounted with an earth wire with the specified section area and securely mounted; do not connect the earth wire with the earth wire of gas pipelines, water pipelines, arrester conductor or phone systems so as not to cause an electric shock risk.
- The main power supply switch of unit should be placed out of reach of children so as not to cause a hazard.

## **INDOOR UNIT POSITION**

The air inlet and outlet vent should be away from any obstruction, ensuring that there is a good airflow through the whole air-conditioned space. Select a position where the condensing water can be easily drained out, and the indoor unit can be easily connected to outdoor unit. The ceiling where the unit is fixed should be strong enough to withstand the full weight and vibration of the unit. The unit should be accessible for service and maintenance. The height of the installed unit should be more than 200cm from the floor. The air conditioner must not be installed in a wet environment such as a bathroom, shower or swimming pool etc.

## **OUTDOOR UNIT POSITION**

A convenient position, dry and well ventilated, outside of direct sunlight or strong winds, which is not on a flood line and where noise and airflow does not cause interference or inconvenience. Select a location where there are no obstructions to the inlet and outlet vents. The location should be able to withstand the full weight and vibration of the outdoor unit and permit safe installation.

Make sure that the outdoor unit is installed in compliance with the installation dimension diagram with easy maintenance access. Select a place where it is out of reach of children. Do not block utilities access or fire escapes.

The external unit must be lifted and put in place by two people.

## **NOTES:**

1. Only use a power supply with the correct ratings, making sure the correct sized power cables are used
2. The appliance shall be installed in accordance with standard wiring regulations by qualified personnel
3. Only replace fuses according to their printed rating or corresponding pcb boards.

## TOOLS RECOMMENDED FOR INSTALLATION

Please note this is not an exhaustive list, and is provided as guidance for the most commonly required tools.



Electric Drill



Hammer



Screwdrivers



Tape Measure



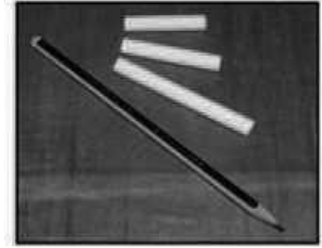
Core Hole Cutter



Spirit Level



Number 14 (7mm)  
Masonry Drill



Pencil and Chalk



4 x M10 threaded  
rods



Small Stepladder



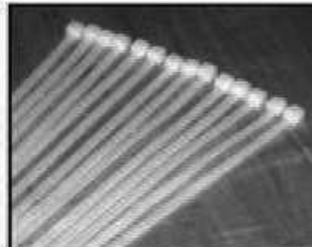
7mm Wall Plugs



Protective Glasses  
and Mask



Pipe and Cable  
Detector



4 inch Plastic Ties



2 Inch Pipe Clips



Circuit Breaker



Garden Gloves



Dust Sheets



Foam Filler



Silicone Sealant

## INSTALLATION OF THE INDOOR CASSETTE UNIT

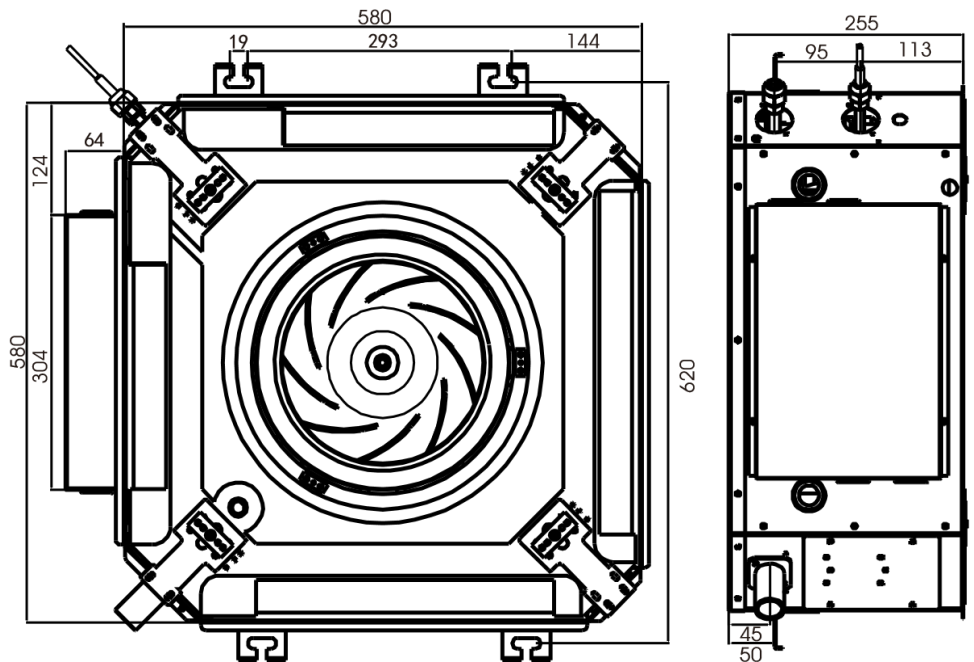
Where possible the following areas should be avoided to avoid potential problems with the appliance and/or safety risks:

1. Where flammable gas is likely to be in the air.
2. Where the air has a high salt content
3. Where caustic gasses are likely to be in the air.
4. Which is unable to safely bear the weight of the unit
5. With high levels of electromagnetic interference.
6. Where the unit may be subjected to acid or alkaline solutions.
7. With high levels of humidity.

Select the installation location taking consideration of the following:

1. Route of the pipework / wiring
2. Access to the upper parts of the unit for connection of the pipework/wiring after hanging the unit
3. Ability of the area to support the weight of the unit.

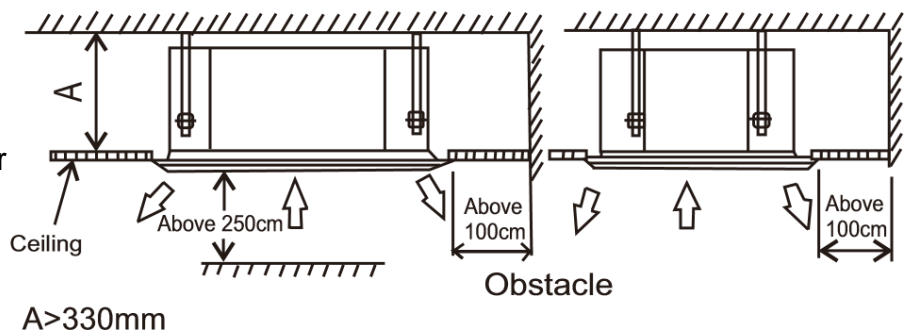
Before hanging the unit the refrigerant pipes, drain pipe and connection wires should be led to the location of the outdoor unit. Confirm the size of the indoor unit and ceiling opening using the supplied installation template.



### SPACE AROUND THE UNIT

The following space must be left around the unit.

1. At least 1m to each side.
2. At least 33cm between upper side of ceiling and structure above.
3. At least 5cm above the unit to any structure or obstruction.



## PREPARATION WORK ON THE CEILING

The indoor cassette unit is designed to be supported by 4 x threaded rods, connecting it to a solid structure above.

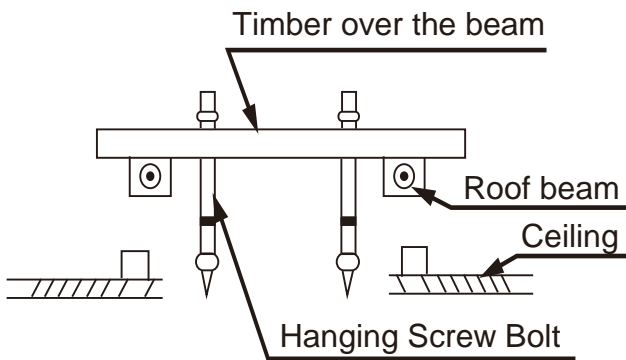
The unit must be installed in accordance with current building regulations and the Installation method should be adjusted depending on the structure of the ceiling. If in any doubt about what installation method is suitable, independent advice should be sought.

After opening a hole, ensure that the ceiling is horizontal and strong to prevent vibration during operation. Reinforcement of the ceiling around the opening may be necessary.

If beams require cutting to accommodate the unit, the remaining beams around the area should be reinforced to compensate for the extra weight they are now supporting.

### WOODEN CONSTRUCTION

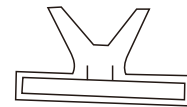
Fix a square length of timber over the roof beam and install the hanging screw bolts into it.



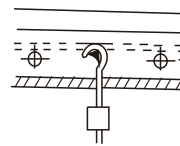
### NEW CONCRETE PANELS



Blade shape



Slide insertion

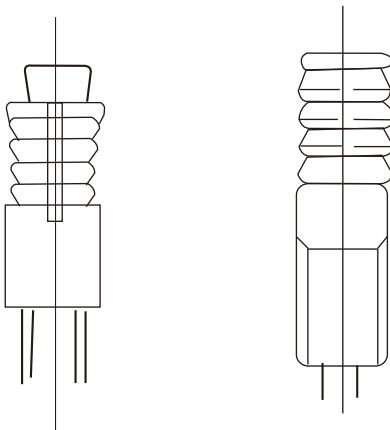


Steel bar

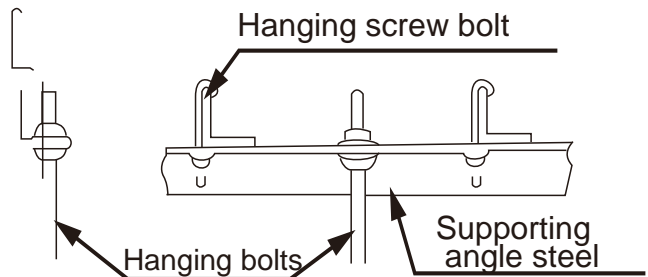
Pipe hanging and embedding screw bolt

### FINISHED CONCRETE PANELS

Install the hanging hook using expandable bolts into the concrete to a depth of at least 45mm to prevent them coming loose during operation.



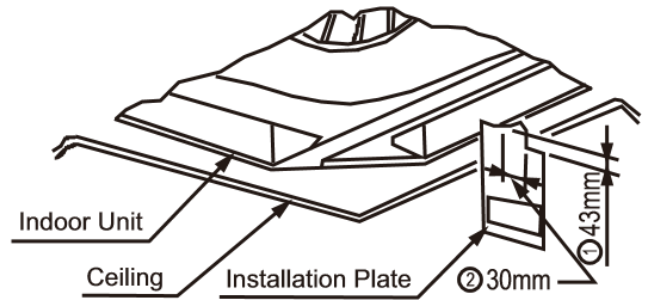
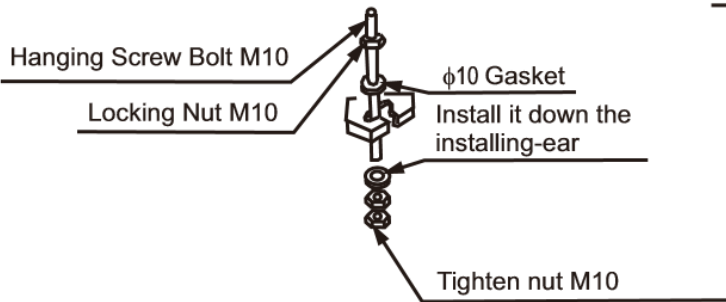
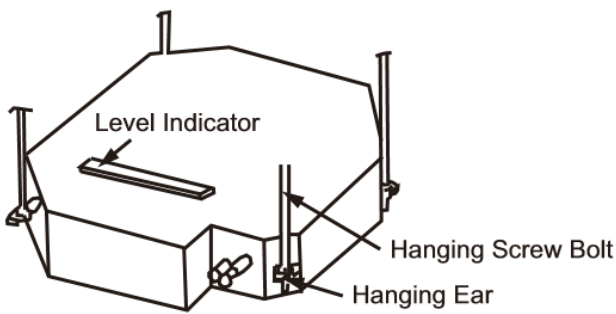
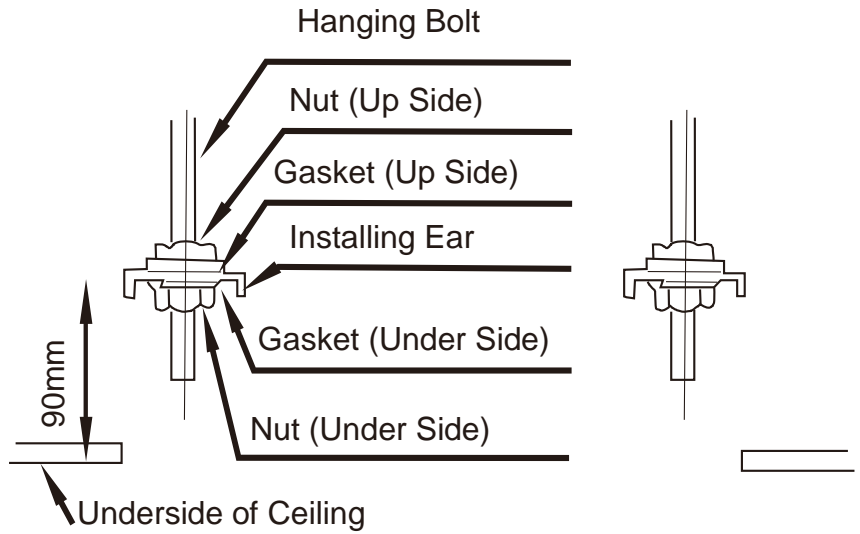
### STEEL ROOF BEAM STRUCTURE



# HANGING THE CASSETTE UNIT

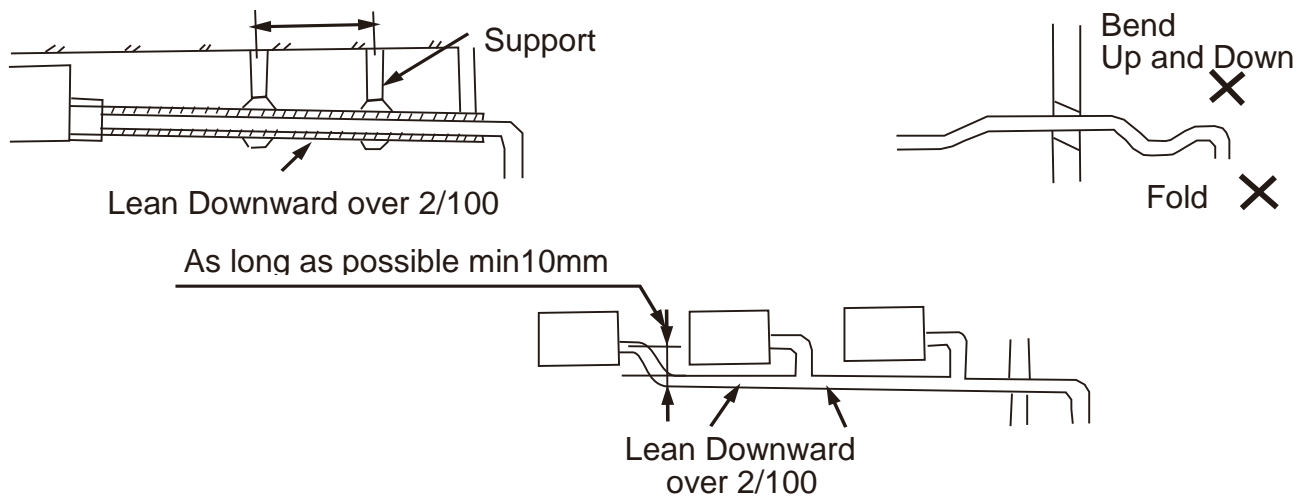
Adjust the under side of the gasket so it sits 90mm above the ceiling.

Overhang the cassette unit above the ceiling, slotting the bars into the brackets on the cassette unit and tightening into position, ensuring that the unit is level.



## DRAINAGE PIPE INSTALLATION

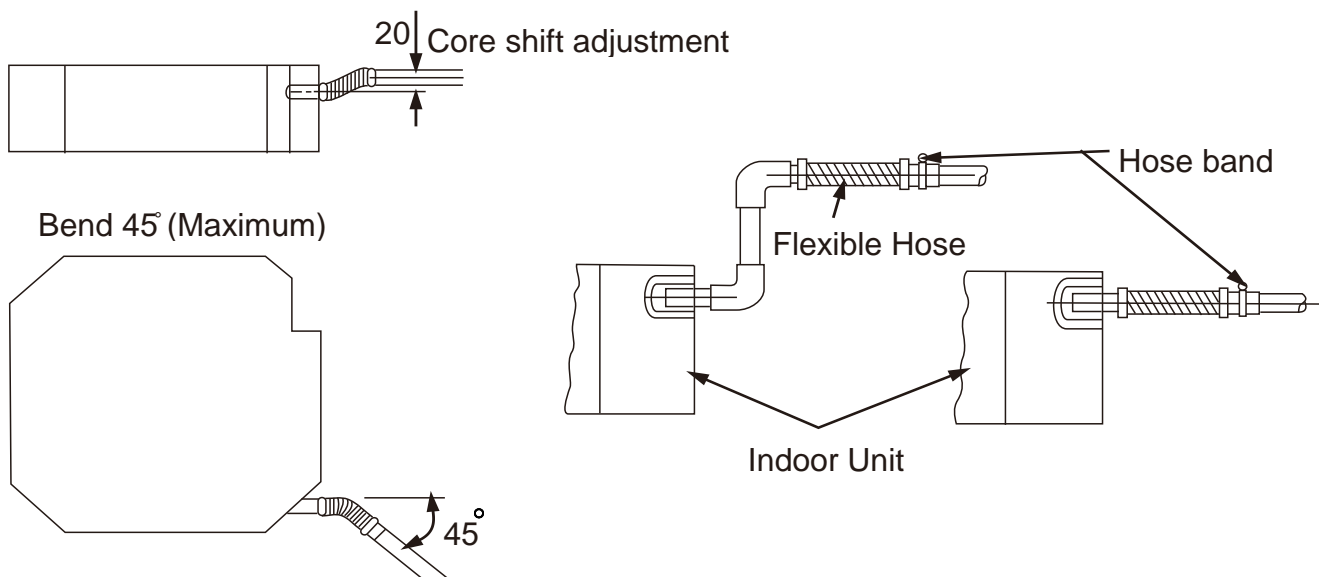
- Ensure that the drainage pipe used has sufficient insulation to prevent condensation forming on the pipework.
- As the drain is gravity fed, it must decline at a slight angle (2/100) with no twisting or bending to aid drainage.
- The maximum length of the drain pipe must not exceed 20m, and must be suitably supported to prevent bumps and bends.
- Ensure that pressure is not placed on the pipe, as this may restrict the flow of condensate from the unit.
- The flexible hose must be mounted horizontally.



We advise on the following materials to be used:

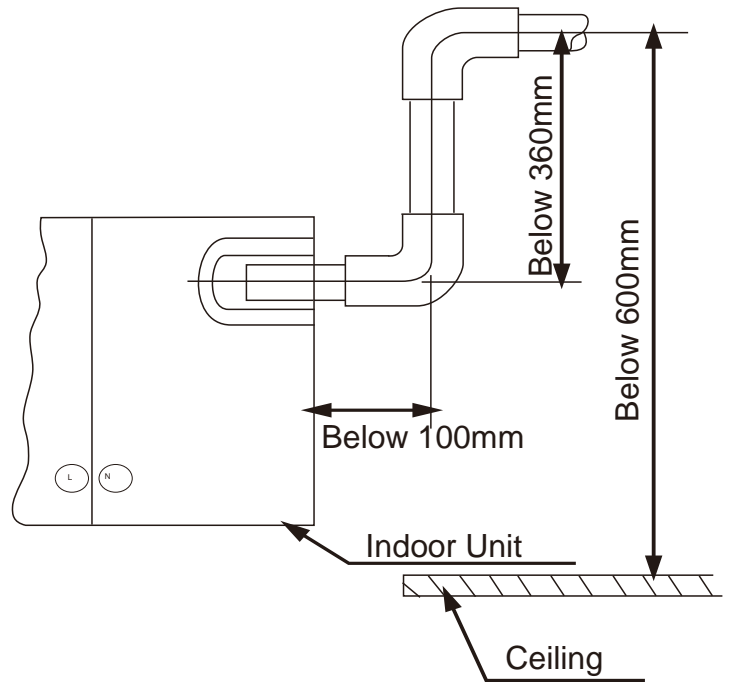
Drain Pipe	Polyvinyl chloride pipe (32mm outer diameter)
Heat Insulation	Foamed polyethylene insulation plate (10mm thickness)

- Use polyvinyl chloride glue at any connection points to prevent water leakage
- Place glue over the front 40mm of the pipe before inserting it into the transparent pipe.
- Allow 10 minutes for the glue to dry before placing any pressure on it.



## DRAINAGE UPWARDS

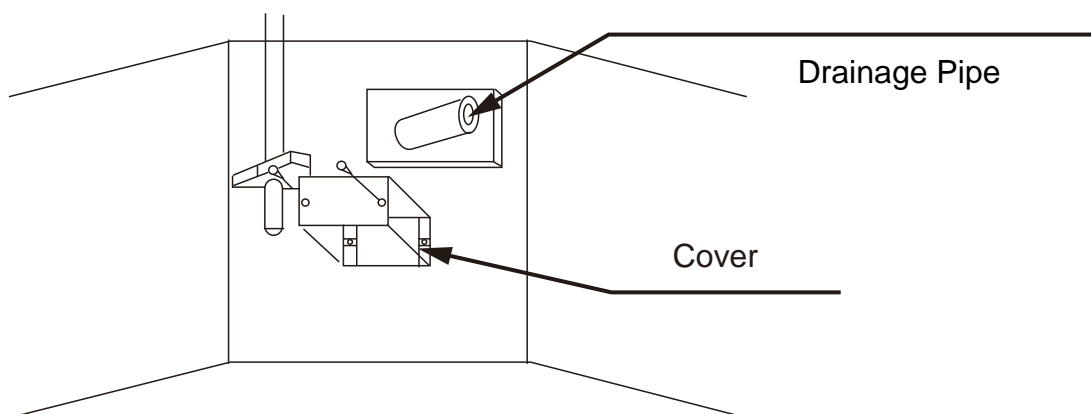
Upon leaving the unit the drainage pipe can have an initial horizontal lift of upto 360mm, before starting the downwards inclination indicated on the previous page. This must be within 100mm of the drainage pipe leaving the cassette unit.



## DRAINAGE TEST

Once the drain pipe has been fully installed, the pipework should be initially be visually checked. Once visually checked, an operation test can be conducted.

1. Ensure power is not connected to the unit.
2. Remove the water tank cover and insert 600ml of water, ensuring that it does not touch the drain pump motor.
3. Disconnect the water level switch.
4. Connect the power to the unit, and the drain pump should start immediately.
5. Allow to run for 1 minute.
6. Following the test, disconnect the power and reconnect the water level switch.



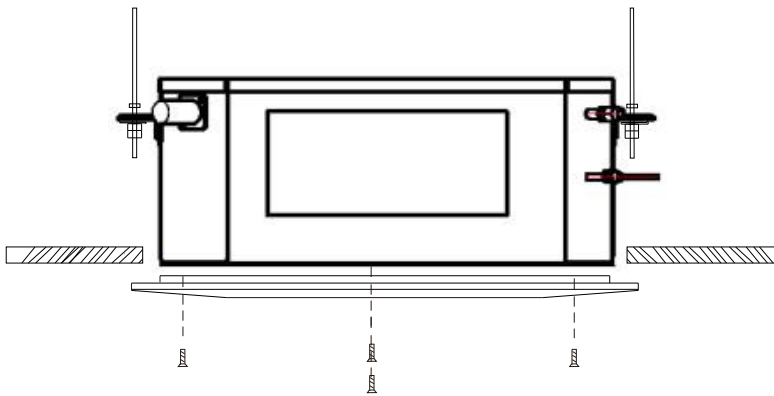
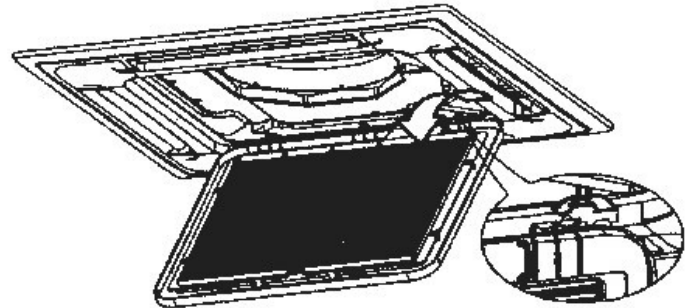


## PANEL INSTALLATION

The panel should be installed after the pipework and wiring have been connected.

Following installation ensure that the gaps between the panel and the ceiling are sealed to prevent air and liquid leakage.

1. Push the two grill switched towards the centre to unhook the grill before pulling the centre of the panel downwards to remove it from the panel.
2. Hold the grill at a 45° angle to the unit and lift to unhook from the rear of the panel.



3. Hold the panel against the cassette unit, lining up the red arrow on the electrical box with the one on the panel, before loosely fastening with the M6 bolts.
4. Connect the cables for the step motors and display panel to the cassette following the wiring diagram provided, ensuring that the cables will not get trapped when tightening the panel.
5. If the optional wired display panel is also to be installed, it should be also be connected to the cassette at this point.
6. Check the position of the panel before fully tightening the bolts, so that the panel is flush to the cassette unit.
7. Reattach the Grill to the panel following the reverse of removal.
8. If there is a gap between the panel and the ceiling after tightening the screws, readjust the height of the cassette, ensuring it is kept level.

## INSTALLATION OF THE OUTDOOR UNIT

Try to move the product to the installation location in its original packaging

As the gravity center of the unit is not at the installation center, special caution should be taken when using hoisting cables to lift it up

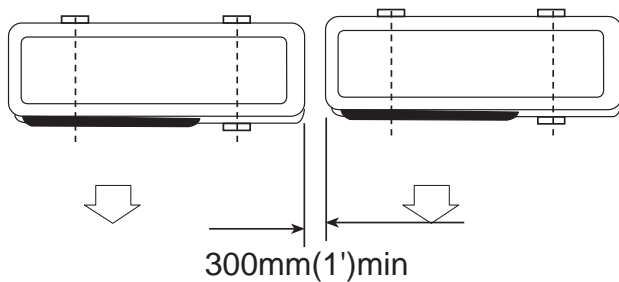
During transport, the outdoor unit must not be tilted to over 45 degrees (also do not store the unit horizontally).

Use expansion bolts to fix the mounting supports on the wall;

Use bolts and nuts to fix the outdoor unit firmly on the supports and keep on the same level;

If the unit is installed on the wall or at the rooftop, the supports have to be firmly fixed so as to resist earthquakes or strong wind.

Dimensions for parallel units installations

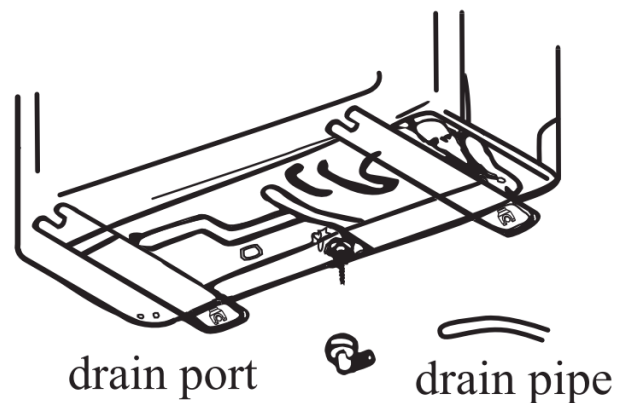


## CONDENSATE DRAINAGE OF THE OUTDOOR UNIT

When operating in heating mode condensate will collect and drain through the base of the outdoor unit. The air conditioner is supplied with an elbow joint which can be connected to the underside of the outdoor unit for drainage.

1. Connect the elbow joint to the drainage hole on the underside of the outdoor unit.
2. Connect a drain hose (not supplied) to the elbow joint and run downhill to your chosen drainage point.

Please note: The drainage is gravity fed, and so must run downhill.



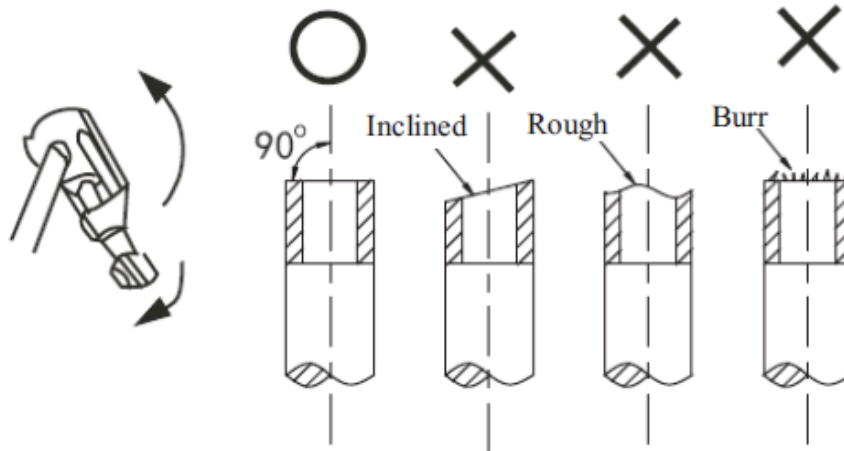
## REFRIGERANT PIPE INSTALLATION

The system is not provided with pipework or interconnecting wires, which should be supplied by the engineer and cut to the appropriate size. The unit is precharged for 5 metres of pipework and refrigerant must be added if the pipe length is more than 5 metres. This operation can only be performed by a professional F-Gas engineer, for the additional gas amount, see the below:

Diameter	Additional Refrigerant	Max pipe length	Max difference in Height
Liquid Side Φ6.35 (1/4")	(Total length of pipe run – 5 meters) x 15 g	15m	10m
Gas Side Φ9.52 (3/8")			

## FLARING THE PIPES




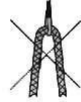
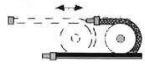
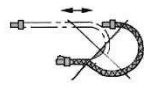




1. Cut the refrigerant pipe to the correct length using a pipe cutter.
2. Ensure the end of the pipe is smooth.
3. Slide the connecting nut onto the pipe before flaring with an appropriate tool, to create a flare with the requirements below.



Outer Diameter (mm)	A (mm)	
	Maximum	Minimum
Φ6.4	8.7	8.3
Φ9.5	12.4	12.0
Φ12.7	15.8	15.4
Φ15.9	19.0	18.6

**NOTES:**

The copper pipe used in the refrigeration lines are very soft, high pressure copper and prone to get damaged if not handled correctly. Try to avoid bending or stretching the pipework. Always ensure the pipes are protected when running through the wall to help prevent damage to the pipes.

<p>To keep the allowed bending radius please make the packed soft pipes vertical before extending</p>			<p>Please do not extend only one side of the packed soft pipes.</p>
<p>Please make use of semicircle pulley to keep the allowed bending angle</p>			<p>Extreme bending could damage the pipes</p>
<p>Please use a twisting wheel to avoid improper bending.</p>			<p>Over bent soft pipes will lead to irregular bending</p>
<p>Please use rigid elbow to keep the bending angle while soft pipes operating.</p>			<p>Undersize bending will damage the soft pipe.</p>
<p>Please keep the minimum bending angle while installing</p>			<p>Do not use short sharp angle bends.</p>

## STANDARD PIPELINES CONNECTION & AIR PURGING

No dust or any other particles, air or moisture should be allowed to enter the air conditioning system. Careful attention should be paid when pipeline connection for outdoor unit is made. Try to avoid repeated curves as much as possible; otherwise damage to the copper pipes may occur. Suitable wrenches should be used when the pipeline connection is done so as to ensure appropriate torque (refer to following torque table).

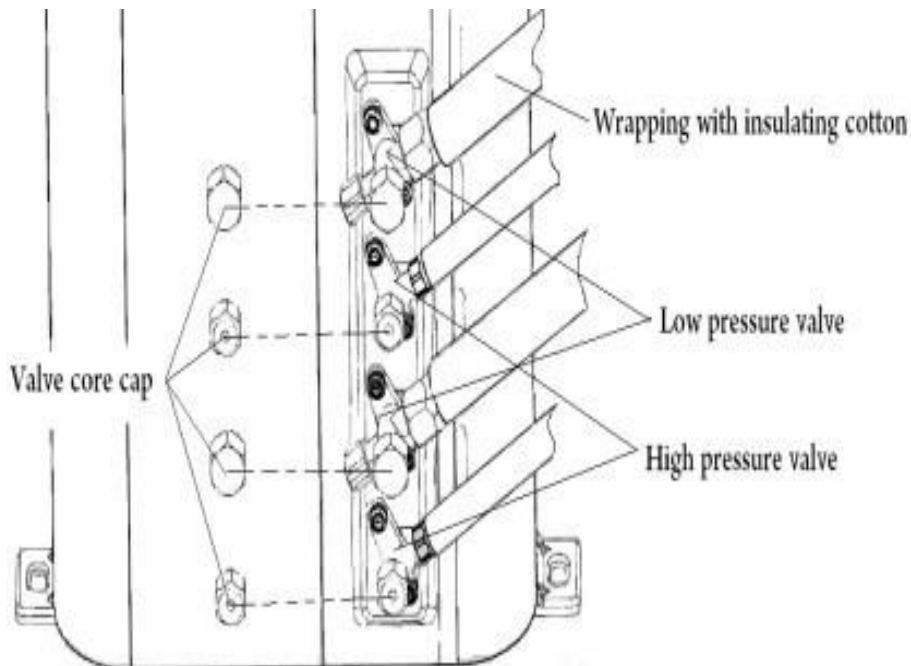
Excessive torque action might damage the joints while too little torque might lead to leakage.

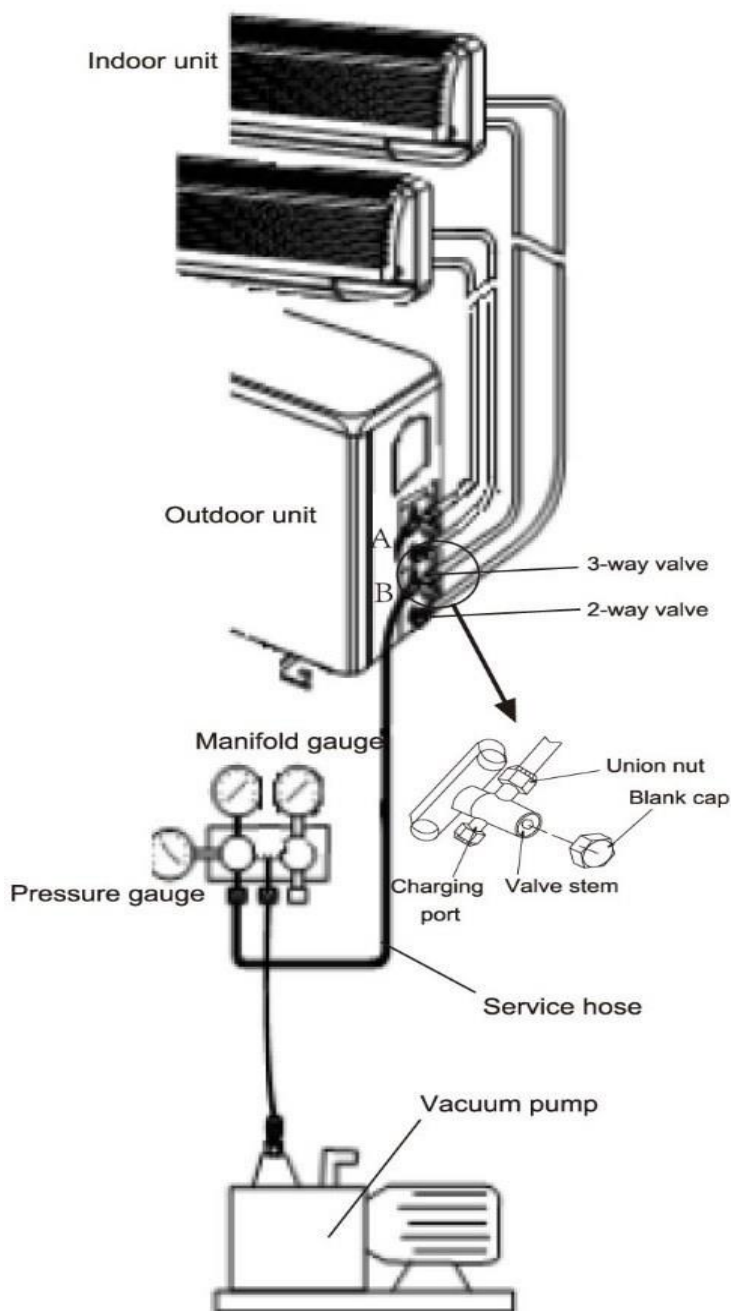
Torque based upon the wrench to be used

Copper pipe diam.	Tightening torque	Strengthened tightening torque
6.35(1/4")	160kgf.cm(63kgf.inch)	200kgf.cm(79kgf.inch)
9.52(3/8")	300kgf.cm(118kgf.inch)	350kgf.cm(138kgf.inch)

Follow the procedures below:

1. Remove the dust caps from the indoor and outdoor units and the connecting pipe.
2. Align the joint of the connecting pipe between the indoor and outdoor and tighten the connecting nut by hand to prevent cross threading. Secure them with a wrench, applying the maximum torque as shown in the table above.
3. Pressure test and vacuum pump the pipework for each refrigerant circuit.
4. Remove the two valve core caps from the outdoor unit and turn on the high and low pressure valve cores with a socket wrench, then tighten the two valve core caps of the outdoor unit. Finally you can wrap hot insulating tape around the joints of indoor and outdoor units





## AIR PURGING WITH VACUUM PUMP

Please note this should be completed for each refrigerant circuit (each indoor unit)

1. Check that pipelines connection have been properly connected, remove the charging port cap, and connect the manifold gauge and the vacuum pump to the charging valve using service hoses as shown
2. Open the valve on the low-pressure side of the manifold gauge, then run the vacuum pump. Vacuum the indoor unit and the connecting pipes until the pressure in them lowers to below 1.5mmHG (The operation time for vacuuming is about 10 minutes). When the desired vacuum is reached, close the low pressure valve on the manifold and stop the vacuum pump.
3. Disconnect the service hoses and fit the cap to the charging valve.
4. Remove the blank caps, and fully opens the spindles of the 2-way and 3-ways valves with a service valve wrench.
5. Tighten the blank caps of the 2-way and 3-ways valves, applying the torque listed in the table above.

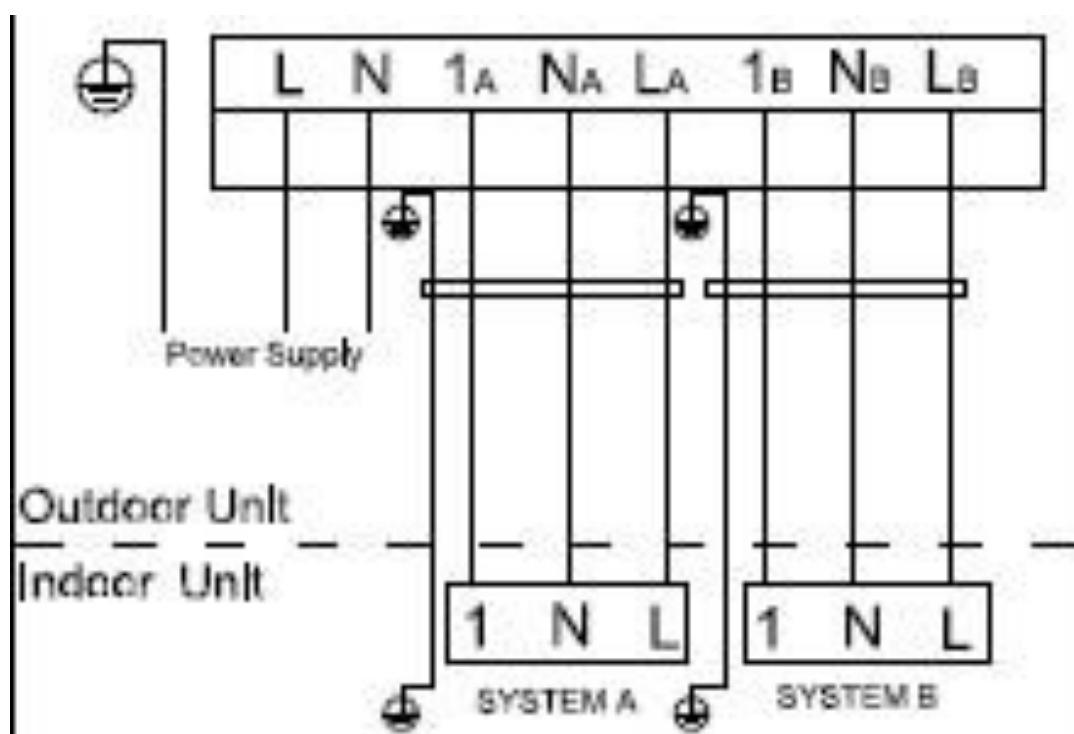
## GAS LEAKAGE INSPECTION

After the pipeline connection is done, use a leakage inspection device to carefully check if there is any leakage at the joints. This is an important step to ensure the quality of installation. Once a leak is detected, proper action should be taken immediately.

## ELECTRICAL CONNECTION OF THE AIR CONDITIONER

- The electrical connections can be found under the protective plastic cover. Remove this from the side of the outdoor unit to gain access to the electrical connections.
- Connect the indoor power and control wires with the matching outdoor wire as per the electrical diagram.
- Do not attempt to connect the wires in a different way to the diagram on the air conditioner as this could damage the unit and invalidate the warranty.
- Secure the wires and replace the cover before operating the unit.
- The appliance should be installed in accordance with national wiring regulations.
- If the supply cord is damaged, it must be replaced by the manufacturer, its service agent or a suitably qualified person in order to avoid a hazard.
- The unit is designed to be hard wired and a suitable switch with a contact separation of at least 3mm in all poles must be added to the fixed wiring.
- The air conditioner electrical wiring must follow the specific country regulations. If power cord is damaged must be replace by a qualified electrician.

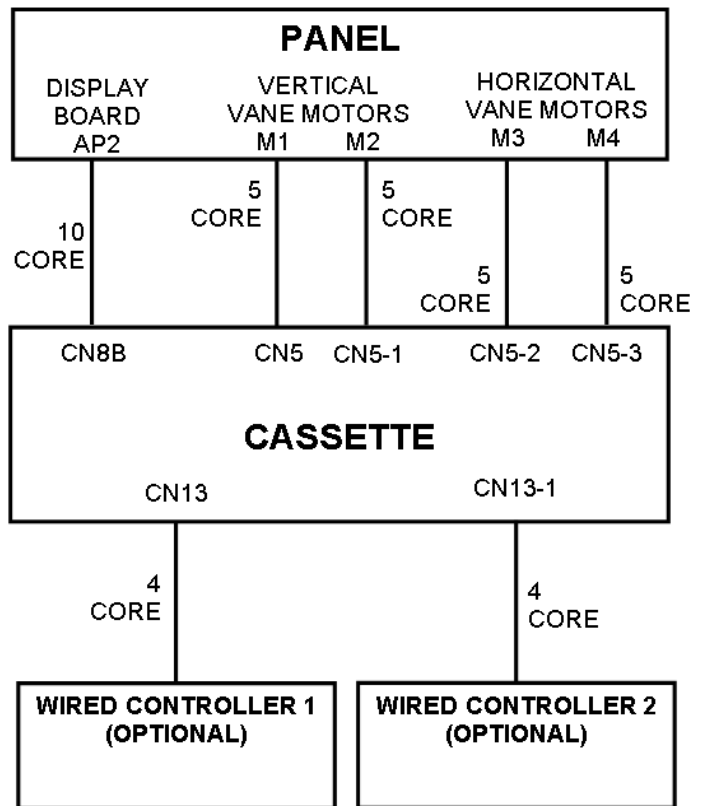
Capacity (Btu/h)	Power cord(outdoor )		Signal connecting cord(for heat pump)	
	Type	Normal cross - sectional area	Type	Normal cross - sectional area
9K	H07RN-F	2.5mm <sup>2</sup> X3	H07RN-F	0.75mm <sup>2</sup> X4
12K	H07RN-F	2.5mm <sup>2</sup> X3	H07RN-F	0.75mm <sup>2</sup> X4



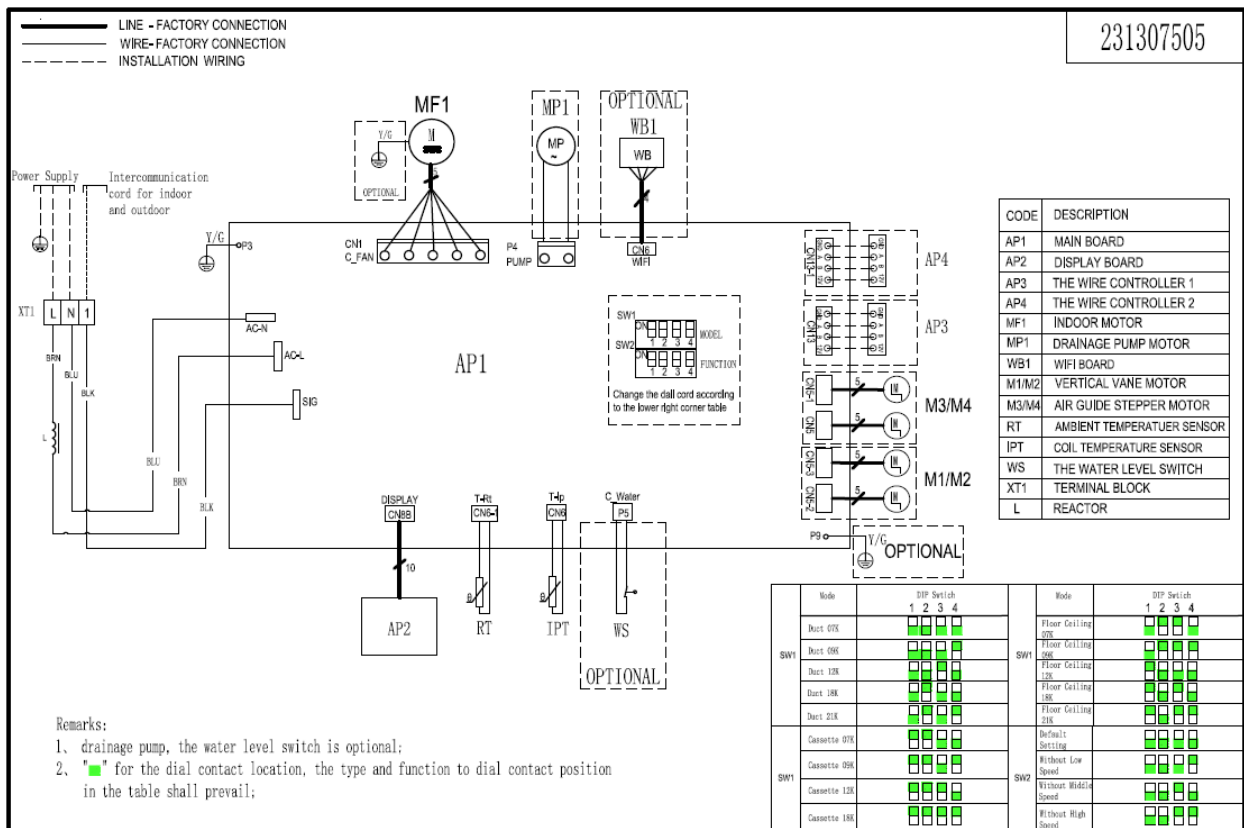
# ELECTRICAL WIRING DIAGRAMS

Please note: The diagrams provided in the manual are for guidance only. Due to continual product development the diagrams provided on the units themselves should be followed where any discrepancies are found

## Connection of Panel to the Cassette

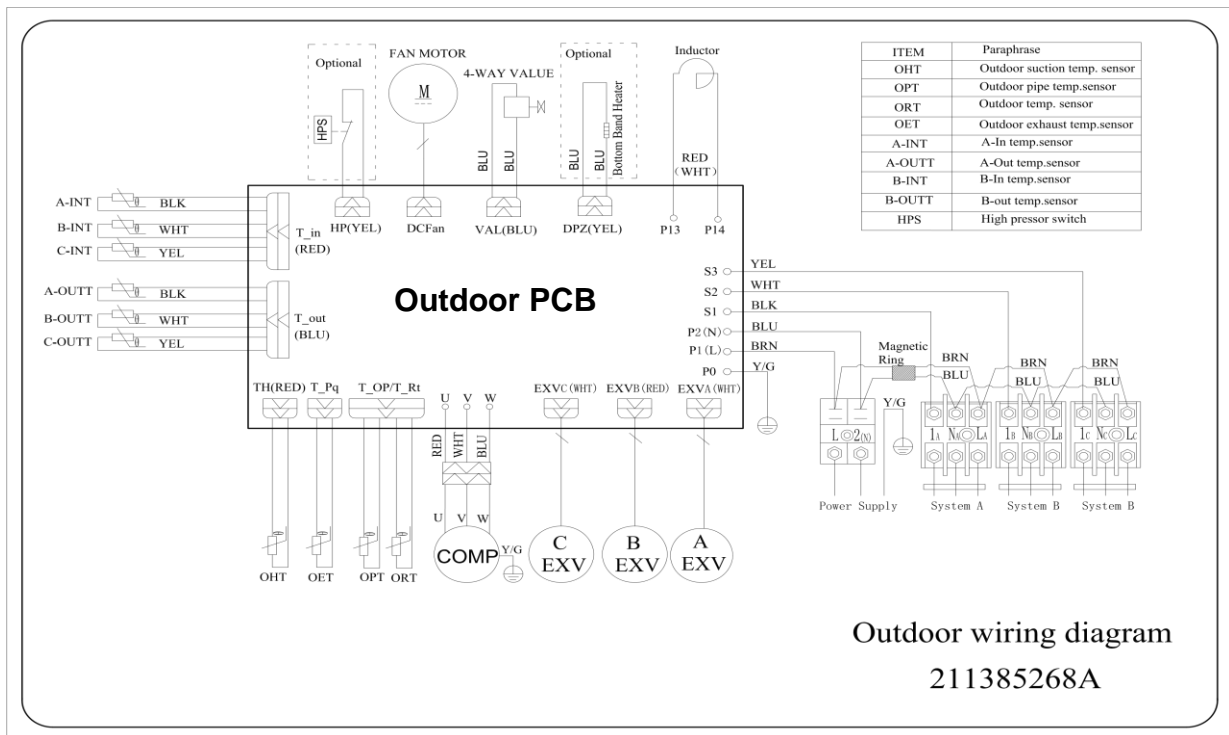


## Indoor PCB

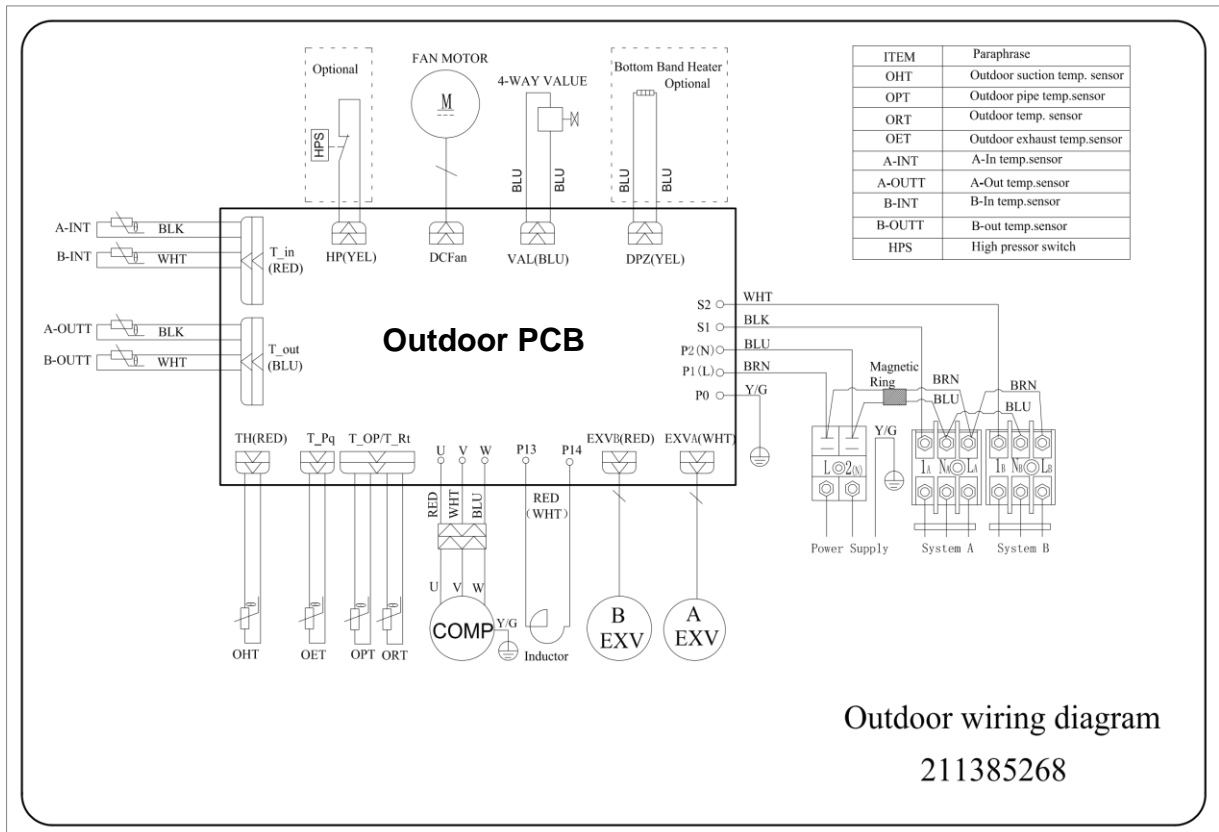




# iQool-C3MS9K9K9K Outdoor PCB



# iQool-C2MS12K12K Outdoor PCB



## TROUBLESHOOTING AND SELF DIAGNOSIS

MALFUNCTION	POSSIBLE CAUSE
The appliance does not operate	Power failure
	Damaged indoor/outdoor unit fan motor
	Faulty compressor thermomagnetic circuit breaker
	Faulty protective device or fuses
	Loose connections
	Self protection in adverse conditions
	Voltage higher / lower than the voltage range
	Active TIMER-ON function
	Damaged electronic control board
Strange odour	Air filter dirty
Noise of running water	Back flow of liquid in the refrigerant circulation
A fine mist comes from the air outlet	This occurs when the air in the room becomes very cold, for example in the COOLING or DEHUMIDIFYING modes.
A strange noise can be heard	This noise is made by the expansion or contraction of the front panel due to variations in temperature and does not indicate a problem.
Insufficient airflow, either hot or cold	Inappropriate temperature setting.
	Air inlet or outlet of indoor or outdoor unit has been blocked.
	Air filter is blocked.
	Fan speed set at minimum.
	Other sources of heat in the room.
The appliance does not respond to commands	No refrigerant.
	Remote control is not near enough to indoor unit.
	Battery in Remote controller may have been exhausted..
The display is off	Obstacles between remote control and signal receiver in indoor unit.
	Active LED function
Remote cannot select heating mode.	Power failure
	Remove the batteries from the remote and follow the guide for setting up the remote.
<b>Switch off the air conditioner immediately and cut off the power supply in the event of:</b>	
Strange noises during operation.	
Faulty electronic control board	
Faulty fuses or switches.	
Spraying water or objects inside the appliance.	
Overheated cables.	
Very strong smells coming from the appliance.	

**ERROR SIGNALS ON THE DISPLAY**

In case of error, the display on the indoor unit shown the following error codes:

<b>Error Code</b>	<b>Failure type</b>
E0	Indoor and outdoor communication failure
EC	Outdoor communication failure
E1	Indoor room temperature sensor
E2	Indoor coil temperature sensor
E3	Outdoor coil temperature sensor
E4	System abnormality
E5	Model configuration wrong
E6	Indoor fan motor fault
E7	Outdoor temperature sensor
E8	Exhaust temp. sensor
E9	IPM drive and module fault
EA	Current sensor fault
Ed	Indoor EEPROM fault
EC	Outdoor Communication fault
EE	Outdoor EEPROM fault
EF	Outdoor fan motor fault (DC motor)
EH	Outdoor suction temperature sensor fault
En	Outdoor gas pipe temperature sensor fault
EP	Temp. switch fault ( on top of the compressor)
EU	Voltage sensor fault
Ey	Outdoor liquid pipe temperature sensor fault
<b>Protection Display Code List</b>	
PA	Indoor run mode conflict
P1	Overvoltage /lower voltage protection
P2	Overcurrent protection
P4	Exhaust over temperature protection
P5	Too cool protection in cooling mode
P6	Overheat protection in cooling mode
P7	Overheat protection in heating mode
P8	Outdoor over temperature / lower temperature protection
P9	Drive protection (software control )
P0	Module protection (hardware control)

## OUTDOOR UNIT FAULT CODES

The outdoor unit has an LED on the power board. This LED will be illuminated when the compressor is running and blink 1s on and 1s off when the compressor is in standby. If there is a fault on the outdoor unit, it will blink on and off for half a second at a time, followed by a 3s gap. The number of consecutive blinks will show the fault as per the table below:

No. of blinks	Fault
1	IPM protection
2	Over voltage /lower voltage
3	Overcurrent
4	Exhaust over temperature protection
5	Outdoor coil over temperature protection
6	Drive fault and protection (V1, VP1)
7	Communication fault with indoor unit
8	Compressor overheat fault (compressor top switch)
9	Short-circuit / open-circuit fault of outdoor temperature sensor
10	Short circuit / open-circuit fault of outdoor heat exchanger temperature sensor
11	Short-circuit / open-circuit fault of exhaust temperature sensor
12	Voltage sensor fault
13	Current sensor fault
14	IPM fault
15	Communication fault between power source board and IPM
16	No feedback from DC fan motor(outdoor unit)
17	Defrost state

## WIFI CONTROL TROUBLESHOOTING

Description	Possible Cause
Air conditioner can't be configured successfully	<ol style="list-style-type: none"> <li>4. Check the mobile device is connected to WIFI</li> <li>5. Check the AC is connected</li> <li>6. Check that any firewall or other restrictions are causing problems</li> <li>7. Check the router is functioning normally</li> <li>8. Check that the router isn't blocking the App</li> </ol>
Mobile device can't control the air conditioner	<p>The app displays "Identification failed". This indicates that the AC has been reset and the mobile device has lost contact with the AC. Reconnect the device following the above instructions. If this fails, delete the AC from your devices list and start the install process from the beginning.</p>
Mobile device can't find AC	<p>The app displays "Air conditioner out of line". Check the below:</p> <ol style="list-style-type: none"> <li>1. The AC has been reconfigured</li> <li>2. The AC is not receiving power</li> <li>3. The router is not powered on</li> <li>4. The AC can't connect to router</li> <li>5. The AC can't connect to network through the router</li> <li>6. The mobile device can't connect to the router</li> <li>7. The mobile device can't connect to a network (when being used remotely)</li> </ol>

## TECHNICAL SPECIFICATION

Model		iQool-C3MS9K9K9K		iQool-C2MS12K12K	
Rated voltage and frequency (Ph-V-Hz)		1Ph/220-240V~/50Hz		1Ph/220-240V~/50Hz	
Fuse Required		13A		13A	
Mode		Cooling	Heating	Cooling	Heating
Rated capacity (W)	Single	2637	2637	3517	3517
	Double / Triple	8200 (3100~8790)	9050 (2550~9800)	6150 (2800~6600)	6600 (2450~6900)
Power input (W)	Single	816	730	1083	970
	Double / Triple	2500 (410~2700)	2200 (510~2850)	1880 (350~2100)	1710 (420~2050)
Current input (A)	Single	3.83	4.42	5.07	4.55
	Double / Triple	11.3 (1.86~12.3)	9.8 (2.32~12.4)	8.5 (1.6~9.5)	7.8 (1.9~9.3)
SEER/SCOP(W/W)		6.1/A++	4.0/A+	6.1/A++	4.0/A+
Nominal load (kW)		8.20	9.05	6.15	6.60
Balance point temperature heating (°C)		/	-7	/	-7
Min. outdoor operating temperature (°C)		/	-15	/	-15
Thermostat-off mode (W)		161		129	
Standby mode (W)		6		4	
Off mode (W)		0		0	
Annual consumption (kW)		470	2733	352	2098
Number of indoor units supplied		2		3	
Max number of indoor units		3		4	
Copper Pipe Type length		5m		5m	
Liquid side / Gas side (mm/inch)		6.35 (1/4) + 9.52 (3/8)		6.35 (1/4) + 9.52 (3/8)	
Max. refrigerant pipe length for each unit		15m		15m	
Max. elevation		10m		10m	
Interconnecting Cable		4x0.75mm <sup>2</sup>		4x0.75mm <sup>2</sup>	
Fuse Rating		5A on indoor PCB		5A on indoor PCB	
Moisture Removal (L/h)		0.9 L/h per one unit		0.9 L/h per one unit	
Indoor	Air Flow (m <sup>3</sup> /h)	500		600	
	Dimensions (L*W*H) (mm)	574x574x250		574x574x250	
	Packaging (L*W*H) (mm)	725x725x330		725x725x330	
	Net / Gross weight (Kg)	20/24		20/24	
	Noise – Sound pressure level (MPa)	36~42		36~42	
	Noise – Sound power level (dB/A)	46~52		46~52	

<b>Outdoor</b>	Dimension (L*W*H) (mm)	940x910x340	900x660x310
	Packaging (L*W*H) (mm)	1030x950x430	1050x715x425
	Net / Gross Weight (Kg)	68/80	50/55
	Noise – Sound pressure level (dB/A)	60	58
	Noise – Sound power level (dB/A)	70	68
	Refrigerant type/weight	R410A/2800g	R410A/2300g
	Defrost mode	Automatic defrosting	Automatic defrosting
	Applicable climate types	Cooling (0°C – 53°C) Heating(-20°C – 30°C)	Cooling (0°C – 53°C) Heating(-20°C – 30°C)

Due to continuous product development process specification may change.  
 These units contain a gas governed by F-Gas regulations. The gas must be handled by qualified F-Gas engineers.

## APPENDIX



Disposal: Do not dispose this product as unsorted municipal waste. Collection of such waste must be handled separately as special treatment is necessary. Recycling facilities are now available for all customers at which you can deposit your old electrical products. Customers will be able to take any old electrical equipment to participating sites run by their local councils. Please remember that this equipment will be further handled during the recycling process, so please be considerate when depositing your equipment. Please contact the local council for details of your local household waste recycling centres.

## WARRANTY INFORMATION

**TCL** guarantee provides cover against material or manufacturing faults. This means that if your air conditioner develops a fault during the guarantee period, we will arrange for it to be repaired or replaced.

Faults arising from a faulty installation are specifically excluded.

The system must be serviced annually by qualified personnel.

This unit must be operated under conditions as recommended in this user manual, at voltages indicated on the unit. Any attempts made to service or modify the unit by unqualified person, will render this **WARRANTY VOID**.

This warranty is in addition to, and does not affect, your statutory rights.

Our warranty is RTB warranty and cover parts and labour only.

We recommend that you note the details of your purchase below and retain your original proof of purchase receipt with this manual. Keep these documents safe in the event of a warranty claim.

Purchase Date: \_\_\_\_\_

Retailer name: \_\_\_\_\_

Model number: \_\_\_\_\_

Serial number: \_\_\_\_\_

Installation Date: \_\_\_\_\_

Installer name: \_\_\_\_\_

Service Date: \_\_\_\_\_

Engineer/ Company name: \_\_\_\_\_

### **TCL UK SUPPORT**

Please, for your own convenience, check the troubleshooting guide before calling the service line.

If the unit still fails to operate call: 0871 620 1057 or complete the online form

Office hours: 9AM - 5PM Monday to Friday

TCL AIR CONDITIONING  
Unit J6, Lowfields Business Park  
Lowfields Way, Elland  
West Yorkshire, HX5 9DA